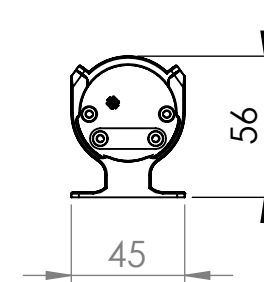
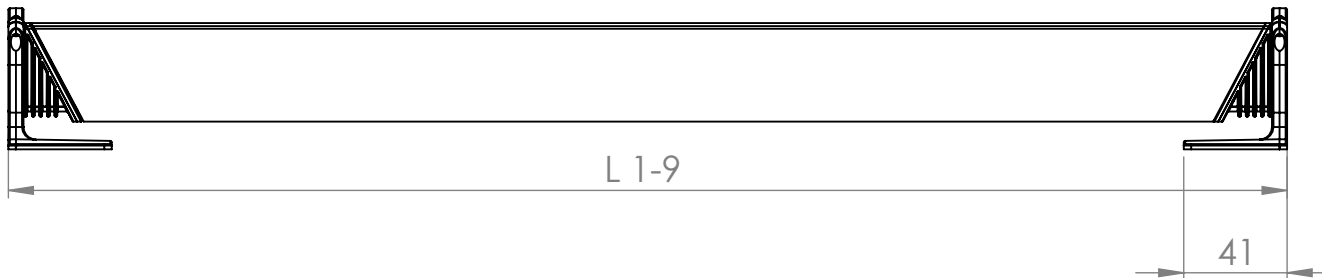
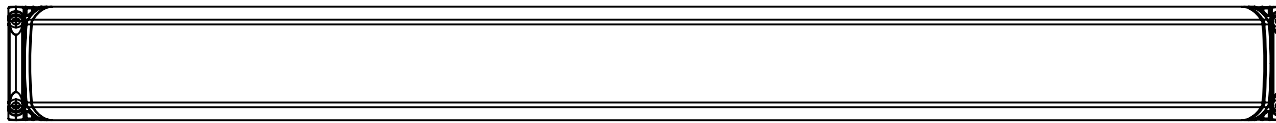
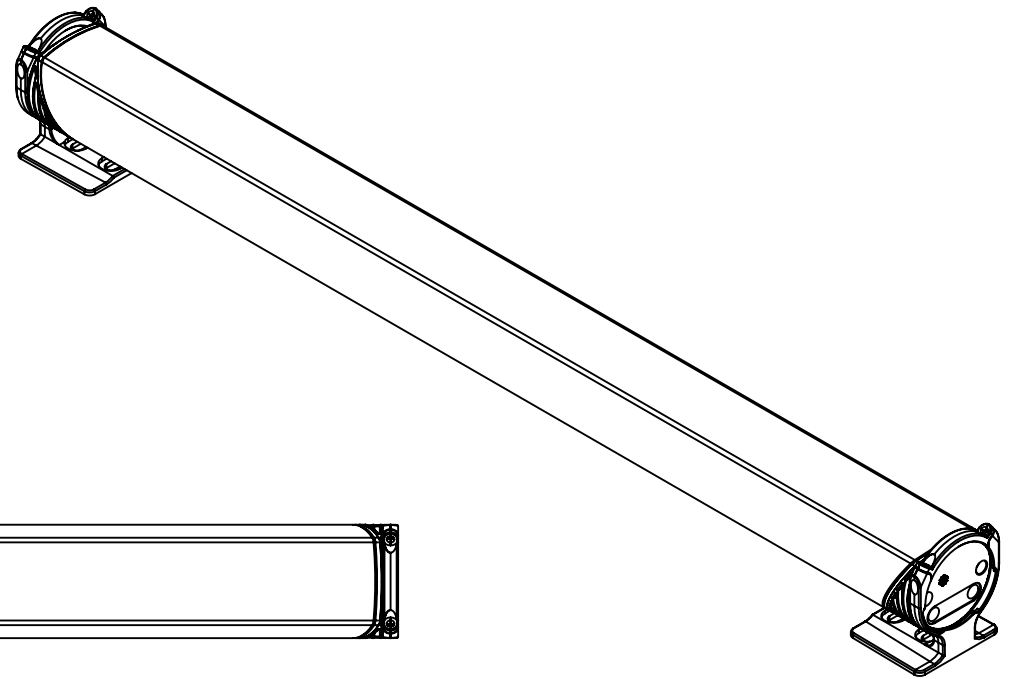


DIRECTION OF LIGHT



CONFIG	LENGTH	LED QTY	No of PCB
L1	176	4	1
L2	342	8	2
L3	507	12	3
L4	673	16	4
L5	838	20	5
L6	1004	24	6

CONFIG	LENGTH	LED QTY	No of PCB
L7	1170	28	7
L8	1335	32	8
L9	1501	36	9

TITLE:

**GENERAL VIEWS - RESIST**

DO NOT SCALE DRAWING

GENERAL TOLERANCE IS  $\pm 0.1$   
UNLESS OTHERWISE SPECIFIED

UNLESS OTHERWISE SPECIFIED:  
DIMENSIONS ARE IN MILLIMETERS

**A4**

SCALE: 1:3

DWG NO. 1

SHEET 1 OF 1

31/08/2014