

# EMINERE™ 1 / 2 / 3 / 4

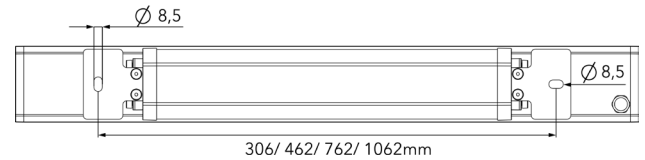
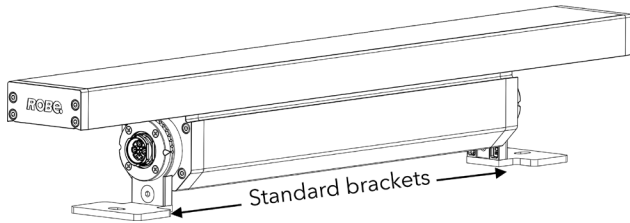
## INSTALLATION INSTRUCTIONS



The unit must be installed by a qualified electrician in accordance with all national and local electrical and construction codes and regulations. This device falls under class one and must be grounded!

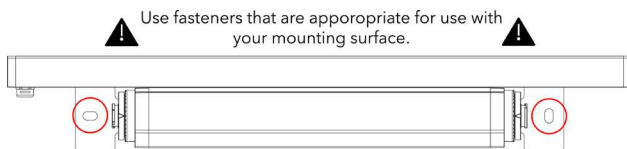


### STEP 1.A INSTALLATION WITH STANDARD MOUNTING BRACKETS



Brackets spacing.

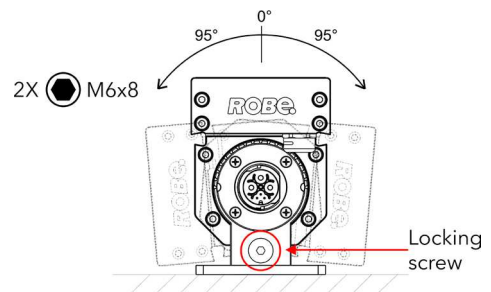
1



Use fasteners that are appropriate for use with your mounting surface.

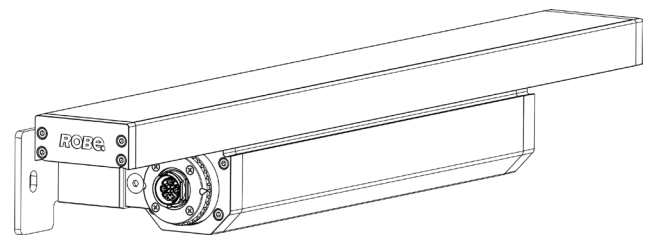
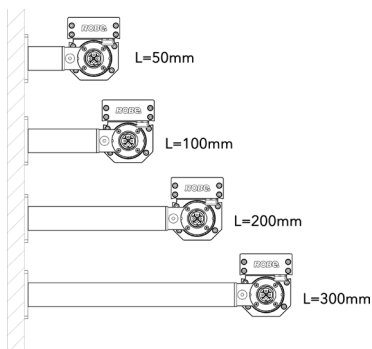
Drill 2 holes to the surface according to brackets spacing.

2



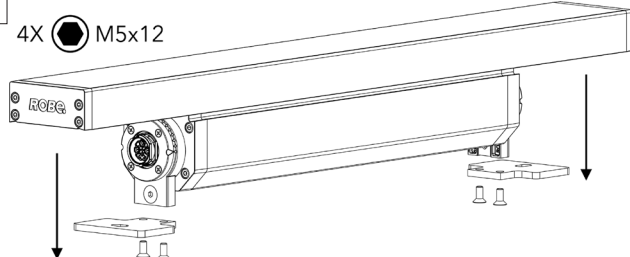
Release locking screw M6x8 on each sides. Position fixture and tighten by screws via brackets holes to pre-drilled holes on the surface. Angle fixture to desired position and tighten locking screw on each sides.

### STEP 1.B INSTALLATION WITH WALL-MOUNT BRACKETS



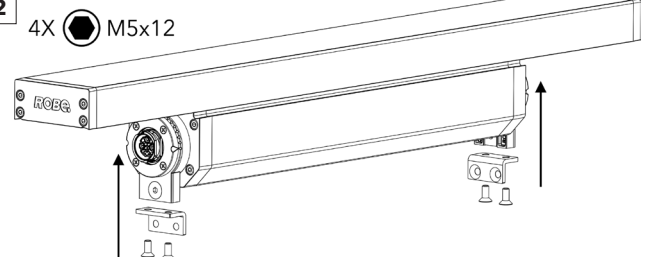
Wall-mount brackets.

1



Undo 2x standard mounting brackets.

2

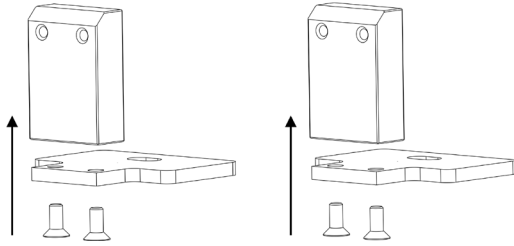


Install 2x L-shape brackets.

# EMINERE™ 1 / 2 / 3 / 4

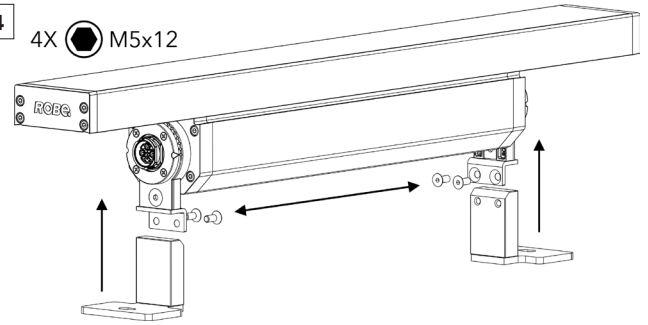
## INSTALLATION INSTRUCTIONS

**3** 4X M5x12



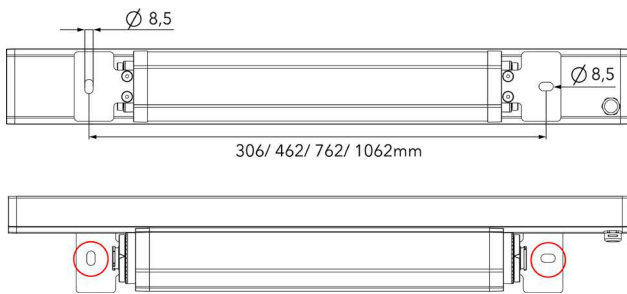
Connect together 2x wall-mount brackets.

**4** 4X M5x12



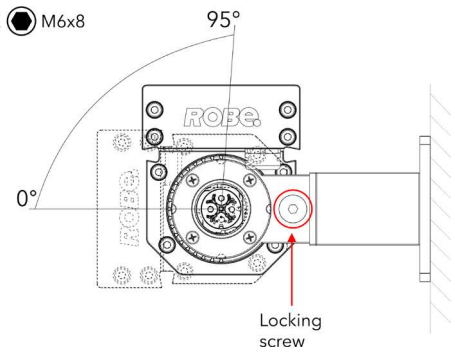
Screw in 2x wall-mount brackets to the fixture.

**5** Use fasteners that are appropriate for use with your mounting surface.



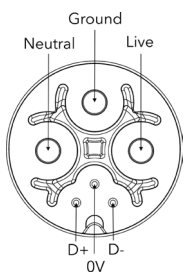
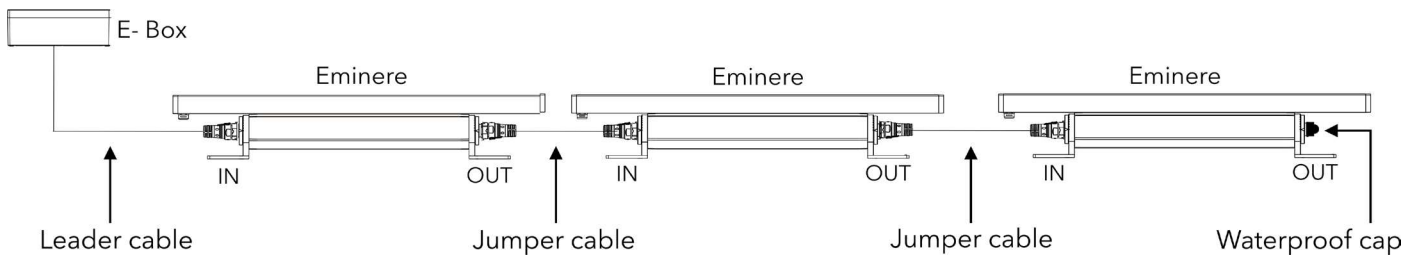
Drill 2 holes to the surface according to brackets spacing.

**6** 2X M6x8

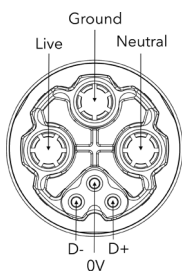


Release locking screw M6x8 on each sides. Position fixture and tighten by screws via brackets holes to pre-drilled holes on the surface. Angle fixture to desired position and tighten locking screw on each sides.

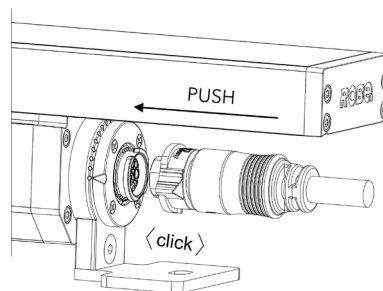
### STEP 2 CONNECTION



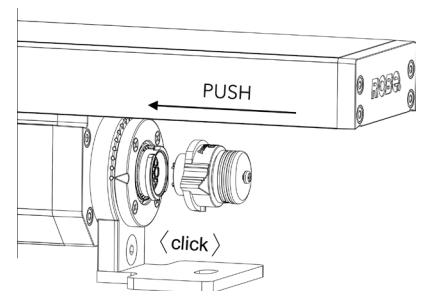
Fixture Input Connector shown



Fixture Output Connector shown



Jumper / Leader Cable

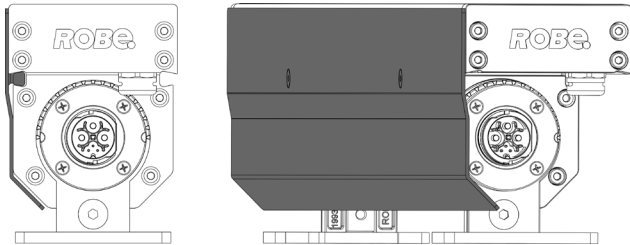


Waterproof cap  
Install on last fixture in a row.

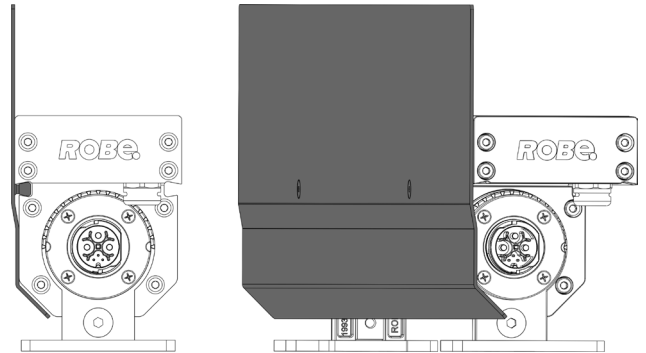
# EMINERE™ 1 / 2 / 3 / 4

## INSTALLATION INSTRUCTIONS

### STEP 3 INSTALLATION OF ACCESSORIES - CABLE COVER AND SHIELD

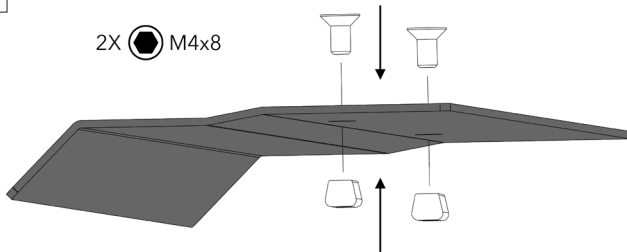


CABLE COVER



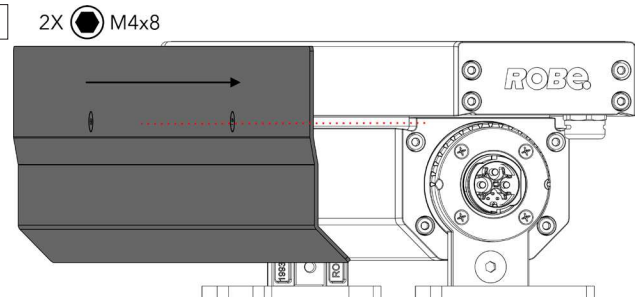
SHIELD

1



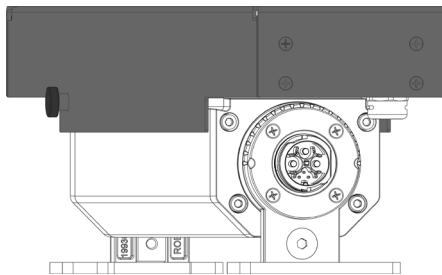
Connect screws with the sliders via accessory holes. Do not tighten them yet!!

2

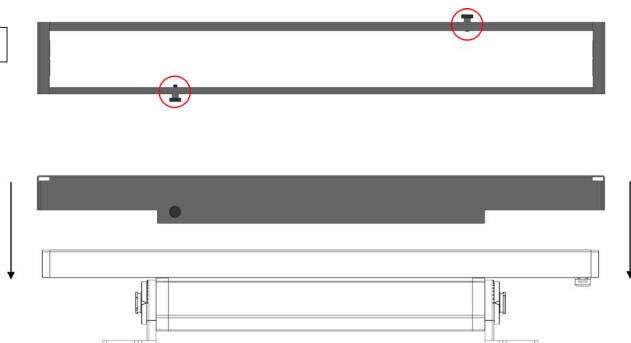


Slide in accessory into the fixture grooves, center and tighten properly.

### STEP 3 INSTALLATION OF ACCESSORIES - OPTICAL DEMO SET

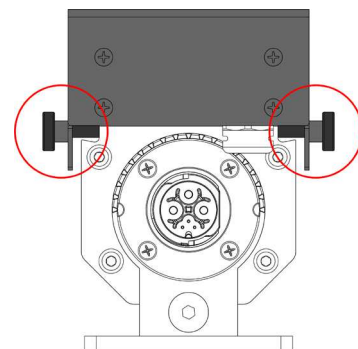


1



Release 2x screws highlighted on the picture and install frame on Eminere.

2



Tighten mounting screws on each side after frame installation. Do not over tighten screws.