

Irideon Series



Type(s)
Project
Date
Notes

GENERAL INFORMATION

The Irideon WLZ is an LED wash light with zoom optics that provide the highest quality beam from spot to full flood, making it ideal for museums, lobbies, retail stores and more. A range of color temperature options from 2700K to 5000K make the WLZ well suited for any application, while track, canopy and portable mounting options provide the flexibility to meet any installation's needs. The soft beam output supports an optional barn-door and provides high-performance dimming utilizing an on-board dimmer or DMX control; canopy versions also support 0–10 V or DALI.

APPLICATIONS

- Museums
- Retail stores
- Restaurants
- Hospitality/Lobbies
- Theatres

FEATURES

- Rugged fixture body
- 9°–78° zoom optics
- Uniquely efficient optical system
- Integrated media holder
- DMX control with built-in intensity trim feature
- DALI or 0–10 V control option available for canopy version
- Dimming to less than 1% of maximum output
- Available in black, white and silver
 - Custom paint colors available; contact ETC

ACCESSORIES

MODEL	ACCESSORY
IRWLZ-BD	Irideon WLZ Barn Door Black
IRWLZ-BD-1	Irideon WLZ Barn Door White
IRWLZ-BD-5	Irideon WLZ Barn Door Silver

POWER INPUT OPTIONS

MODEL	100–120 VAC	230–240 VAC	120–277 VAC
PORTABLE	X	X	
TRACK	X	X	
CANOPY			X

ORDERING INFORMATION

Irideon FPZ

MODEL	COLOR TEMP	CRI	VOLTAGE	MOUNTING	CONTROL	COLOR
IRWLZ - Irideon WLZ	27 - 2700K 30 - 3000K 40 - 4000K 50 - 5000K	80 - Standard 90 - Gallery (Gallery only available with 2700 K and 3000 K options. Standard only available in 3000 K, 4000 K and 5000 K options)	120 - 120 V 230 - 230 V (For all Canopy versions select 120)	T - Track C - Canopy P - Portable (Edison Plug) PU - Portable (UK 13A Plug) PE - Portable (EU Schuko Plug)	X - DMX D - DALI 010 - 0–10 V (DALI and 0–10 V only available with Canopy option)	BLANK - Black 1 - White 5 - Silver 8 - Custom

To complete the form, simply select an option at the bottom of each column to populate the last row with your desired model number. Color Options: Fixtures ship standard in black, silver or white. For additional colors please contact ETC.



PRODUCT SPECIFICATIONS

Source

LED details	Cree XLamp® MT-G2 EasyWhite® LED
Max field lumens	1,273
Lumens per watt	64.6
L70 rating (hours to 70% output)	46,000 hours

Color

Colors used	White
Color temperature options	2700K / 3000K / 4000K / 5000K
Calibrated array	No
Red shift	No

Optical

Beam angle range	9°–78°
Pattern projection	No
Front magnetic media holder	Accommodates 69 mm (2.72 in) diameter color media, diffusion or glass with a maximum thickness of 1.75 mm
Camera flicker control/Hz range	1.2 kHz (standard) 25 kHz (DMX version only-set via RDM)
Notes	Optional barn-door accessory available

Electrical

Voltage range	100–120 V 50/60 Hz (Portable/Track) 230–240 V 50/60 Hz (Portable/Track) 120–277 V 50/60 Hz (Canopy)
Power cord length (portable variant only)	190 cm (75 in)
Control input options	DMX - Portable, Track, Canopy 0–10 V - Canopy only DALI - Canopy only
Track Adaptor (Track variant only)	120 V - Datatrack 240 V - EUTRAC 3-circuit + Data bus
Wattage Typical/Standby	20 W typical, 24 W max
Inrush (first half-cycle) with DMX variant	120 V - 11 A 240 V - 24 A 277 V - 28 A
Inrush (first half-cycle) with 0–10V or DALI variant	120 V - 2 A 240 V - 5 A 277 V - 6 A
Fixtures per circuit with DMX variant	45 fixtures (R20 module or similar)
Fixtures per circuit with 0-10V or DALI variant	90 fixtures (R20 module or similar)

Control

Protocols	DMX - Portable, Track, Canopy 0–10 V - Canopy only DALI - Canopy only
RDM configuration	Yes (DMX version only)
UI type	Rotary pots
Local control	Yes

Thermal

Ambient operating temp	0°–40° C (32°–104° F)
Fan (controllable)	No fan
dB range	N/A
BTUs/hour	68.24 typical, 81.88 max

Physical

Materials	Die-cast aluminum (A380 grade)
Color options	Black, white, silver, or custom color
Mounting options	Track, Portable, Canopy
IP rating	IP20
Weight	Track Mount: 1.47 kg (3.25 lb) Portable: 1.93 kg (4.25 lb) Canopy: 1.47 kg (3.25 lb)
Included accessories (portable only)	Steel yoke C-clamp (not included with CE version)
Included accessories (DMX canopy only)	Screw-terminal DMX connector kit
Notes	Tool-free beam adjustment Thermally insulated knobs Magnetically held media holder

Warranty

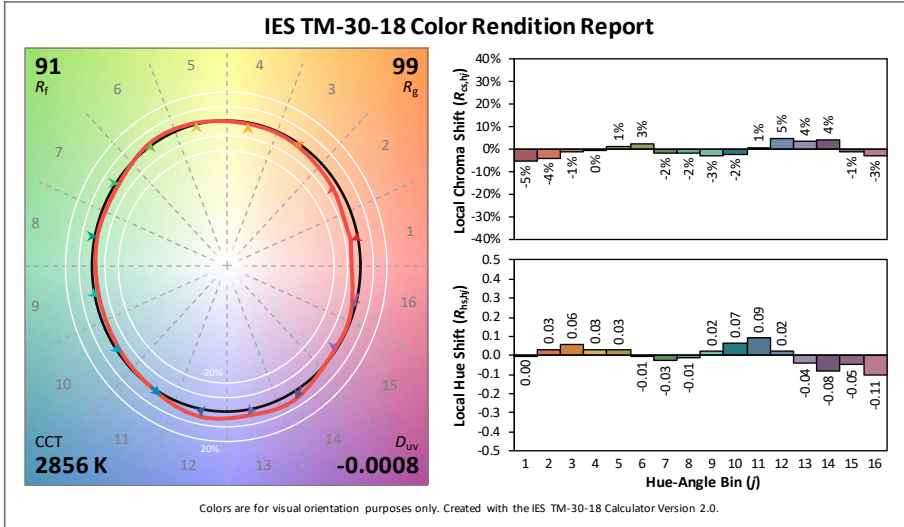
Fixture	5 years
LED array	10 years

Approved Regulatory Standards

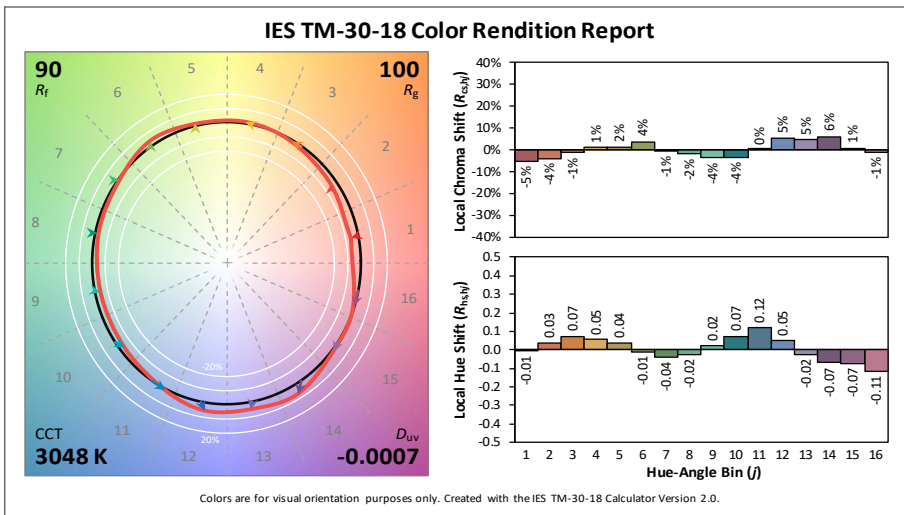
Track version	cETLus Listed Conforms to ANSI/UL STD.1574 Certified to CSA STD. C22.2 No: 9.0 CE Compliant
Portable version	cETLus Listed Conforms to ANSI/UL STD.153 Certified to CSA STD. C22.2 No: 250 CE Compliant
Canopy version	cETLus Listed Conforms to ANSI/UL STD.1598 Certified to CSA STD. C22.2 No: 250 CE Compliant

COLOR METRIC INFORMATION

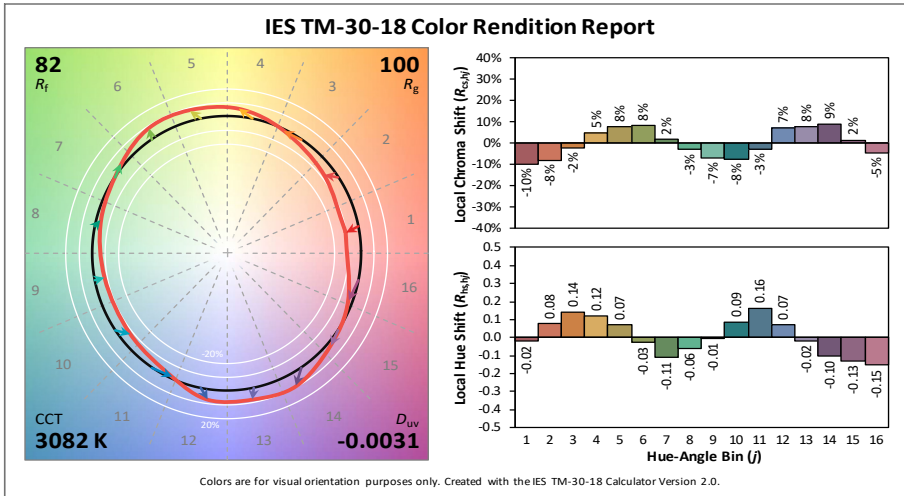
Irideon 2700 K Gallery (>90CRI) TM-30-18



Irideon 3000 K Gallery (>90CRI) TM-30-18

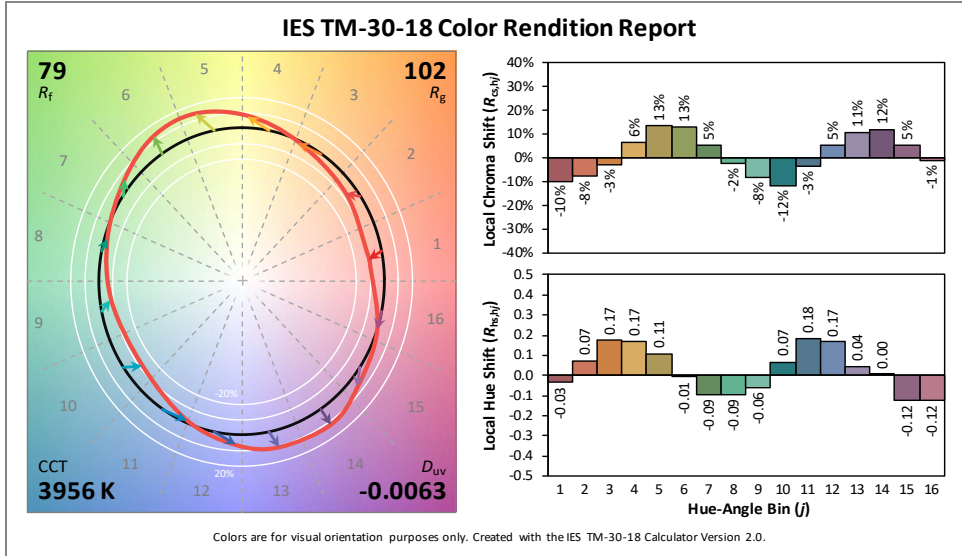


Irideon 3000 K (>80CRI) TM-30-18

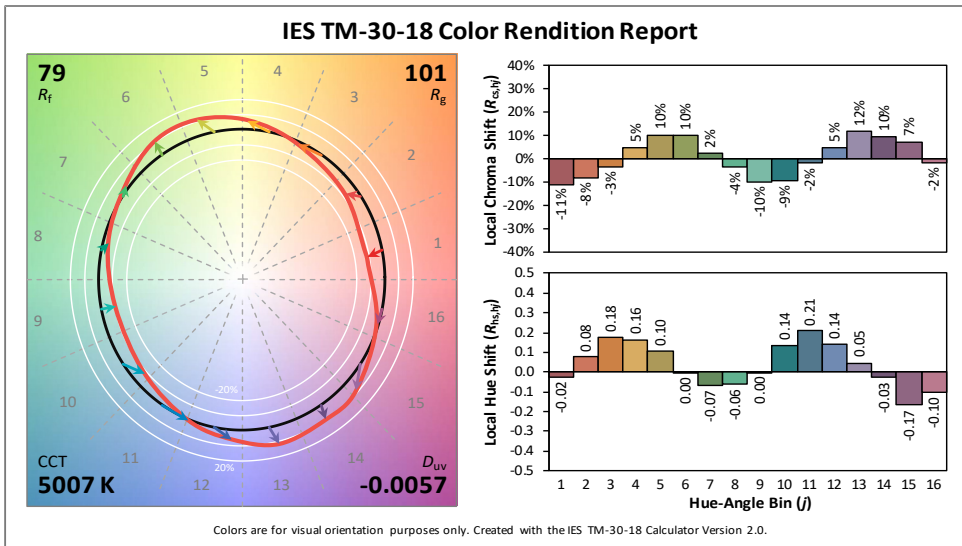


COLOR METRIC INFORMATION

Irideon 4000 K Gallery (>80CRI) TM-30-18



Irideon 5000 K Gallery (>80CRI) TM-30-18

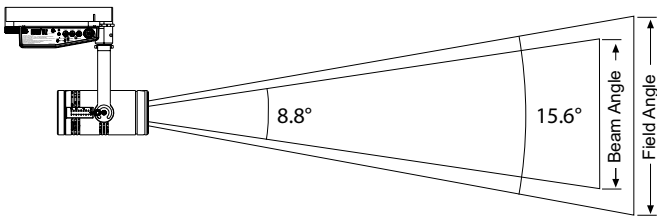


PHOTOMETRY INFORMATION

Narrow Focus

Array	Focus	Candela	Field Lumens	Beam Lumens	Power Consumption	Efficacy (lpw)
2700K / 90 CRI	Narrow	14,080	344	194	19.5	17.6
3000K / 90 CRI	Narrow	14,050	311	171	19.5	15.9
3000K / 80 CRI	Narrow	18,150	410	230	19.5	21.0
4000K / 80 CRI	Narrow	19,900	447	251	19.5	22.9
5000K / 80 CRI	Narrow	19,240	436	241	19.7	22.1

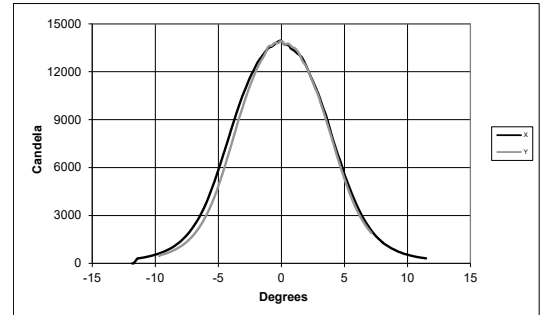
Metric conversions: For meters, multiply feet by 0.3048.
For lux, multiply footcandles by 10.76.



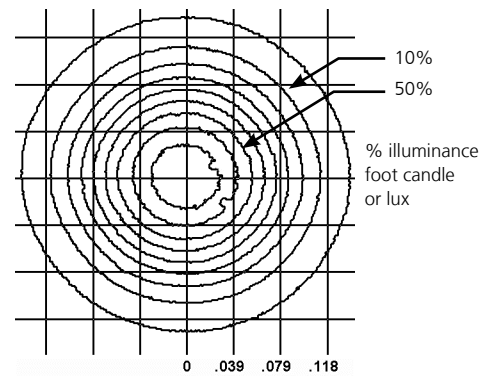
Throw Distance (d)	10 ft	15 ft	20 ft	30 ft	134.7 ft
	3.0 m	4.6 m	6.1 m	9.1 m	41.1 m
Field Diameter	2.7 ft	4.1 ft	5.5 ft	8.2 ft	-
	0.8 m	1.3 m	1.7 m	2.5 m	-
Illuminance (fc)	182	81	45	20	1
Illuminance (lux)	1,954	868	488	217	10.76

For field diameter at any distance, multiply distance by 0.274.
For beam diameter at any distance, multiply by 0.154.

Candela Plot



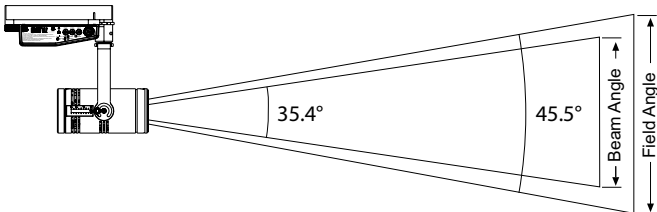
Iso-Illuminance Diagram (Flat Surface Distribution)



Mid Focus

Array	Focus	Candela	Field Lumens	Beam Lumens	Power Consumption	Efficacy (lpw)
2700K / 90 CRI	Mid	2,320	671	524	19.5	34.4
3000K / 90 CRI	Mid	2,310	649	506	19.5	33.3
3000K / 80 CRI	Mid	2,980	832	644	19.5	42.7
4000K / 80 CRI	Mid	3,270	912	718	19.5	46.8
5000K / 80 CRI	Mid	3,160	912	718	19.7	46.3

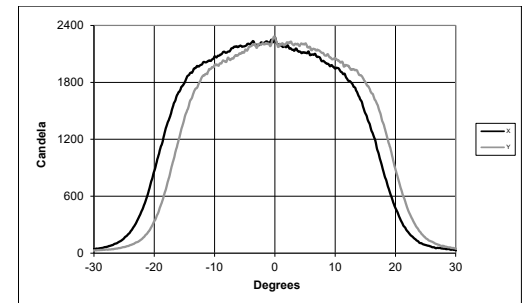
Metric Conversions: For meters, multiply feet by 0.3048.
For lux, multiply footcandles by 10.76.



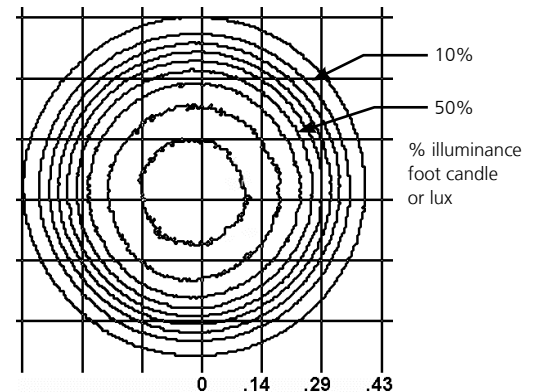
Throw Distance (d)	10 ft	15 ft	20 ft	30 ft	54.6 ft
	3.0 m	4.6 m	6.1 m	9.1 m	16.6 m
Field Diameter	8.4 ft	12.6 ft	16.8 ft	25.2 ft	-
	2.6 m	3.8 m	5.1 m	7.7 m	-
Illuminance (fc)	30	13	7	3	1
Illuminance (lux)	321	143	80	36	10.76

For field diameter at any distance, multiply distance by 0.839.
For beam diameter at any distance, multiply by 0.638.

Candela Plot



Iso-Illuminance Diagram (Flat Surface Distribution)



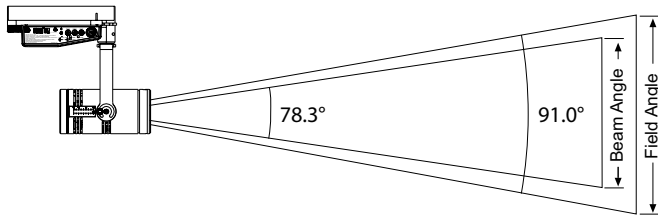
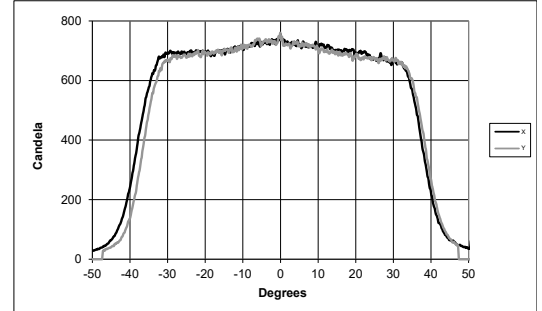
PHOTOMETRY INFORMATION

Wide Focus

Array	Focus	Candela	Field Lumens	Beam Lumens	Power Consumption	Efficacy (lpw)
2700K / 90 CRI	Wide	800	957	678	19.5	49.1
3000K / 90 CRI	Wide	774	906	666	19.5	46.5
3000K / 80 CRI	Wide	911	1,161	848	19.5	59.5
4000K / 80 CRI	Wide	1,080	1,272	946	19.5	65.2
5000K / 80 CRI	Wide	1,080	1,273	946	19.7	64.6

Metric conversions: For meters, multiply feet by 0.3048.
For lux, multiply footcandles by 10.76.

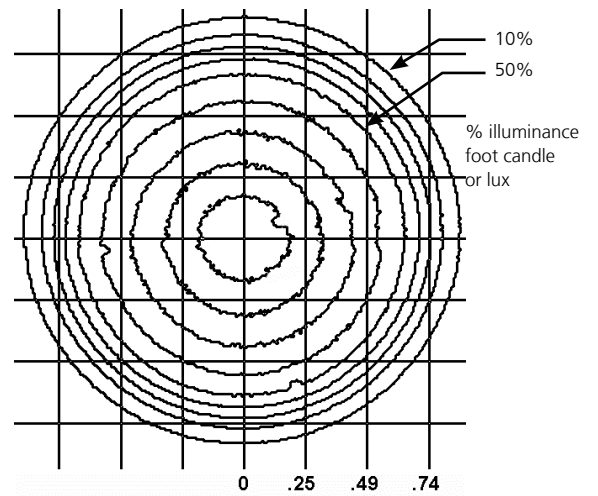
Candela Plot



Throw Distance (d)	10 ft 3.0 m	15 ft 4.6 m	20 ft 6.1 m	30 ft 9.1 m	30.2 ft 9.2 m
Field Diameter	20.4 ft 6.2 m	30.5 ft 9.3 m	40.7 ft 12.4 m	61.1 ft 18.6 m	-
Illuminance (fc)	9	4	2	1	1
Illuminance (lux)	98	44	25	10.76	10.76

For field diameter at any distance, multiply distance by 2.035.
For beam diameter at any distance, multiply by 1.628.

Iso-Illuminance Diagram
(Flat Surface Distribution)



All illuminance figures are calculated using the 3000 K 80 CRI variant.

PHYSICAL

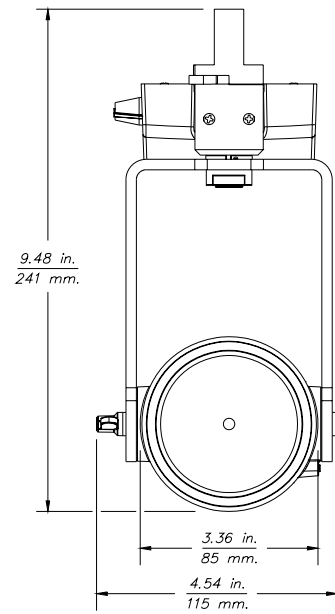
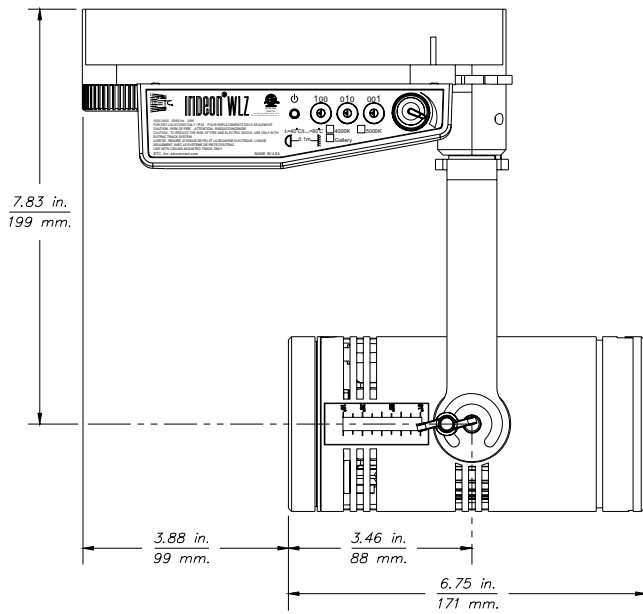
WLZ Dimensions

	HEIGHT		WIDTH		DEPTH	
	in	mm	in	mm	in	mm
Track Mount	11.08	281	5.18	132	14.11	358
Portable	13.62	346	5.18	132	11.14	283
Canopy	10.41	264	5.18	132	11.14	283

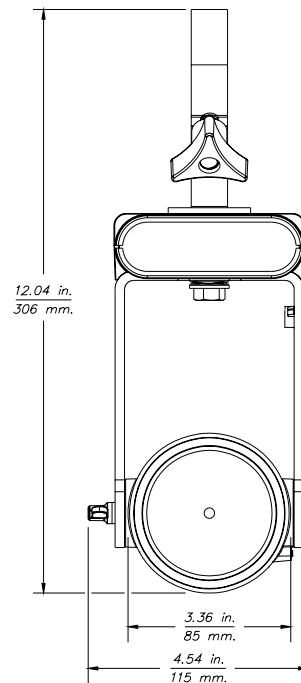
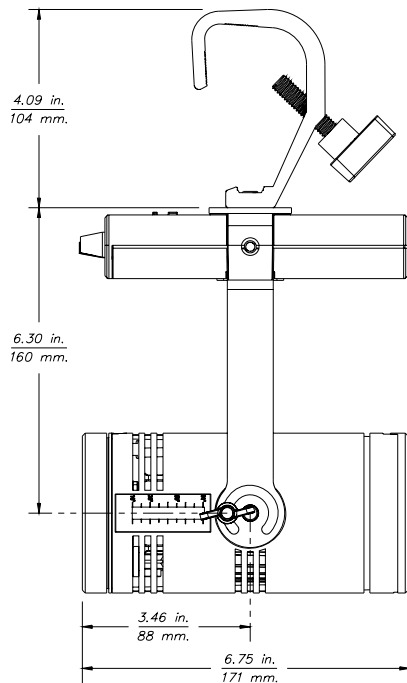
WLZ Weights

	WEIGHT		SHIPPING WEIGHT	
	lb	kg	lb	kg
Track Mount	3.25	1.47	4.25	1.93
Portable	4.25	1.93	5.25	2.38
Canopy	3.25	1.47	4.25	1.93

IRIDEON WLZ TRACK MOUNT

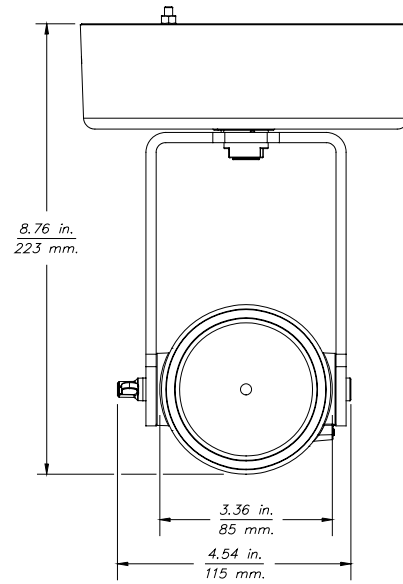
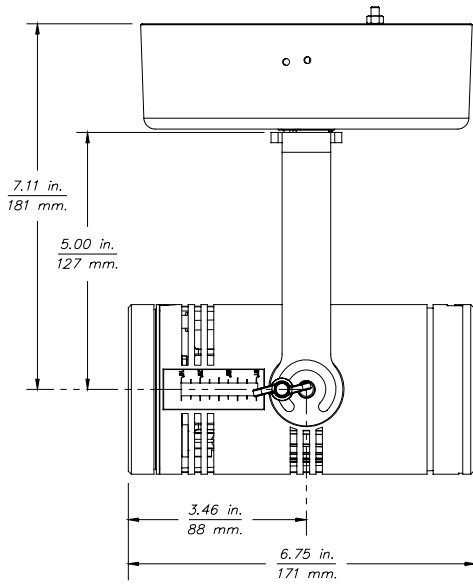


IRIDEON WLZ PORTABLE



PHYSICAL

IRIDEON WLZ CANOPY



Corporate Headquarters • Middleton, WI USA
 Global Offices • London, UK • Rome, IT • Holzkirchen, DE • Paris, FR • Hong Kong
 Dubai, UAE • Singapore • New York, NY • Orlando, FL • Los Angeles, CA • Austin, TX
 Copyright©2021 ETC. All Rights Reserved. All product information and specifications subject to change. Rev J 2021-11
 *Trademark and patent info: etcconnect.com/®

etcconnect.com