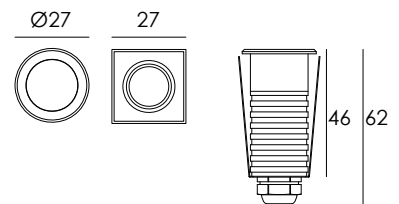




ITEM	OB2BPR0157 / □B2BPS0157
LIGHT SOURCE	1×1.5W
LENS	B15
SELECTED DEGREE(°)	Ø1/2 20°
INPUT VOLTAGE(V)	DC 24
OPERATING CURRENT(MA)	83
CONSUMPTION(W)	2
LUMINANCE(LM)	136



WATER PROOF SOLUTION



- A Water-Stopper(Included)**
A IP-67 water-stopper is added in the end of luminaires as standard assembly which is also an important system for water resistance.
- B IP67 Jiffy quick plug/socket connector(Optional)**
A IP-67 connector is as an optional assembly and ensures that water vapor will not enter into luminaires directly.

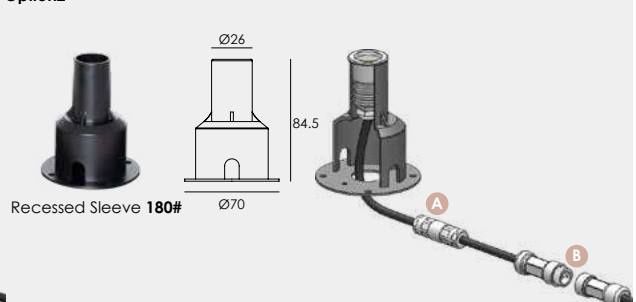
SLEEVE (Included)

Option1



Recessed Sleeve 114#

Option2



Recessed Sleeve 180#

FRONT COVER	Hard chromeplated stainless steel SUS 316#
HOUSING	Aluminum anodized finishing or powder painting
LIGHT WINDOW	Tempered glass,T=2mm
GASKET	Silicon rubber molding shaped seal
POWER CABLE	Outside of luminaire 12V/24V: H05RN-F 2×1.0mm ² , L=0.3m
CABLE GLAND	IP67 Nickel coated copper
LED TYPE	B2BPR0157, B2BPS0157: OSRAM D2BPR0134, D2BPS0134: SEOUL
LED DRIVER	Constant Current Input
LENS	OPTICS lens.efficiency≥85%
RECESSED SLEEVE MATERIAL	PC/ABS ALLOYS
DIMMING SUPPORT	Triac PWM Available 1-10V Dali Customized
IP	IP67
IK	02
OPERATING TEMPERATURE	-20°C~40°C

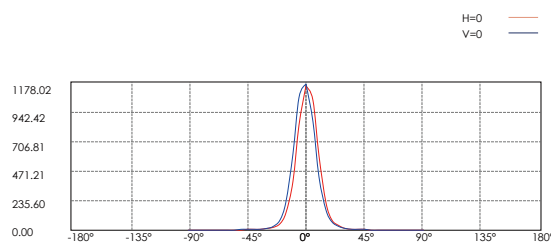
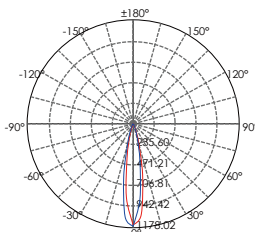
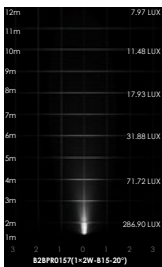
OPTICS Referenced Degree(°)91/2



LIGHTING DEMO



PHOTOMETRIC



Lux distance Curve

Distance (m)	Illuminance at a Distance		Beam Width	
	Center Beam LUX	Beam Width V	H	H
2m	286.90 LUX	0.6m	0.7m	
4m	71.72 LUX	1.3m	1.3m	
6m	31.88 LUX	1.9m	2.0m	
8m	17.93 LUX	2.5m	2.6m	
10m	11.48 LUX	3.2m	3.3m	
12m	7.97 LUX	3.8m	3.9m	

Vert.Spread:18.0 Horiz.Spread:18.6