

LED COLOUR TEMPERATURE

3000K · 6000K

OPTICS



R8



15°

R0115C050XL



24°

R0124C050XL



38°

R0138C050XL



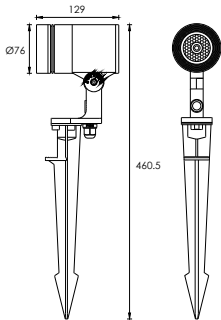
60°

R0160C050XL

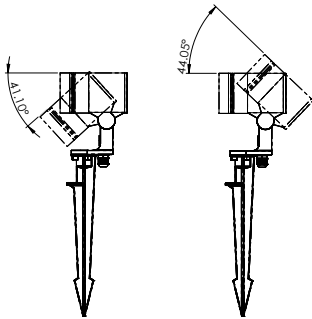


OUTER DIMENSIONS & ACCESSORIES

Unit:mm



ADJUSTABLE BEAM DIRECTION



MATERIAL SPECIFICATIONS

- HOUSING** | 12# Die-casting dark grey powder coated aluminum.
| T=60-80µm. Adhesion of ISO class 1/ASTM class 4B
- LIGHT WINDOW** | Tempered glass. T=4mm
- LED DRIVER** | Constant Voltage Input, Constant Current Output
- REFLECTOR** | Optical reflector, efficiency ≥ 85%
- POWER CABLE** | H05RN-F 2X1.0mm² L=2.0m (low voltage)
| H05RN-F 3X1.0mm² L=2.0m (high voltage)
- OPERATING TEMPERATURE** | -20°C ~ 40°C
- SPIKE** | ABS spike 6b (M4)

HOUSING COLOR OPTION

Basic	Secondary	
Sanded Dark Grey KAP 7037	Silver Grey KAP 9022	Sanded Black RAL9005

TECHNICAL DATA

ITEM	LIGHT SOURCE	LENS	LENS DEGREE(°)Ø1/2	INPUT VOLTAGE(V)	OPERATING CURRENT(MA)	CONSUMPTION(W)	LUMINANCE(LM)	IK
R3XBS0128	1×10W COB	R8	24°	24V DC 120/240	24V = 480 120V = 107 240V = 60	24V = 11.5 120V = 12.6 240V = 12.6	Cool White = 1050 Warm White = 956	07

PHOTOMETRIC CURVES

