

COMMERCIAL TRACK LIGHTS SYSTEM (CTLS) NEA LED



CTLS NEA LED 20W



CTLS NEA LED 30W



CTLS NEA LED 40W

NEA LED właściwości:

- Uniwersalny adapter Global do szynoprzewodów trójobwodowych
- Dostępna w trzech opcjach mocy: 20W, 30W, 40W
- Trzy soczewki w zestawie do regulowania kąta świecenia
- W zestawie przeciwolśnieniowy filtr typu „plaster miodu”
- Dostępna w dwóch temperaturach barwowych: 3000K i 4000K
- Możliwość regulacji o 180° w pionie oraz obrócenia o 355° w poziomie
- Współczynnik oddawania barw CRI ≥ 90
- Moduł LED SAMSUNG, zasilacz OSRAM
- Żywotność: min. 50.000 godzin
- 5 lat gwarancji

NEA LED range features:

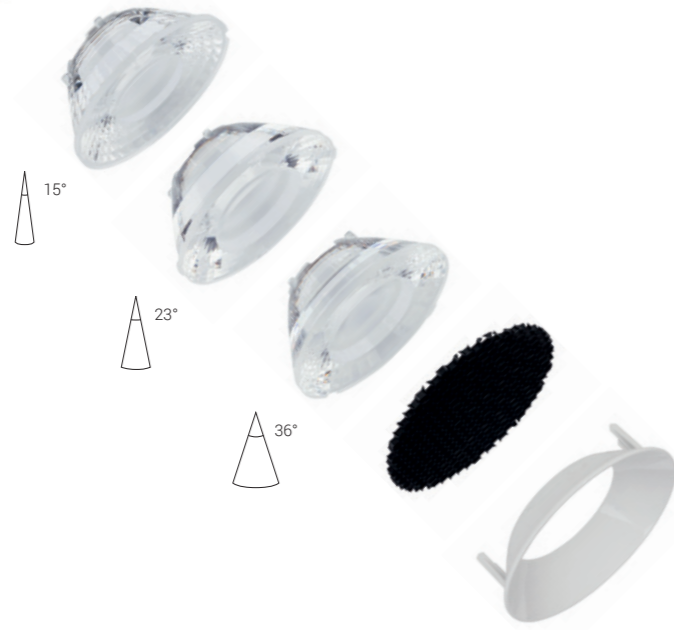
- Universal adapter by Global for 3-circuit track light system
- Available in three power options: 20W, 30W, 40W
- 3 lenses included to adjust the beam angle
- Anti-glare honeycomb included
- Available in two colour temperatures: 3000K and 4000K
- Tilts 180° vertically and rotates 355° horizontally
- Colour Rendering Index (CRI) ≥ 90
- SAMSUNG LED module, OSRAM driver inside
- 50000h min. lifetime
- 5-year warranty

Особенности ассортимента NEA LED:

- Универсальный адаптер от Global для трехконтурной системы трекового освещения
- Доступно в трех вариантах мощности: 20W, 30W или 40W
- В комплекте 3 линзы для регулирования угла лучей
- Антибликовый фильтр в комплекте (тип фильтра «Соты»)
- Доступно в двух цветовых температурах: 3000K или 4000K
- Угол наклона 180° вертикально и поворот 355° по горизонтали
- Индекс цветопередачи (CRI) ≥ 90
- Модуль LED SAMSUNG, драйвер от OSRAM
- Срок эксплуатации мин. 50 000 ч
- 5-летняя гарантия



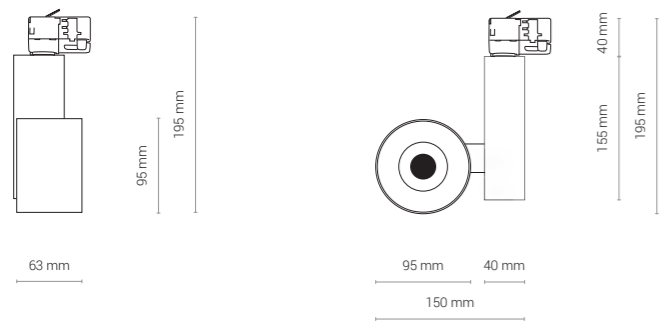
CTLS NEA LED 20W



ZESTAW ZAWIERA 3 SOCZEWKI I FILTR PRZECIWOŚNIEIOWY "PLASTER MIODU"

3 LENSES AND ANTI-GLARE "HONEYCOMB" INCLUDED

3 ЛИНЗЫ И АНТИБЛИКОВЫЙ ФИЛЬТР (ТИП ФИЛЬТРА «СОТЫ») В КОМПЛЕКТЕ



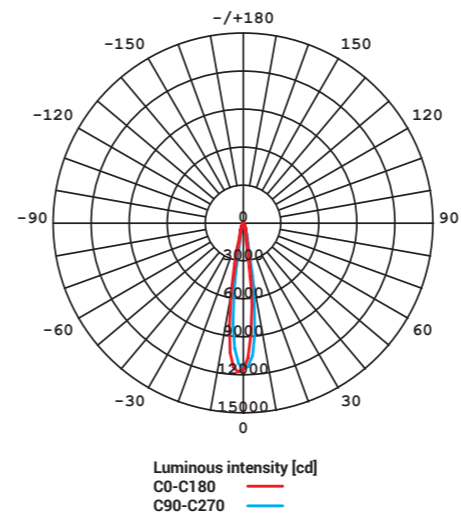
CTLS NEA LED 20W

aluminium / aluminum / алюминий

- 8757 ○ WH - 3000K 8755 ● BL - 3000K
- 8756 ○ WH - 4000K 8754 ● BL - 4000K

Item No.	POWER	COLOUR TEMP.	LUMEN	BEAM ANGLE	CRI	IP	LED BRAND	DRIVER BRAND	LIFETIME	WARRANTY
8757	20W	3000K	1600	15°, 23°, 36°	≥90	20	SAMSUNG	OSRAM	50000h	5 YEARS
8756	20W	4000K	1600	15°, 23°, 36°	≥90	20	SAMSUNG	OSRAM	50000h	5 YEARS
8755	20W	3000K	1600	15°, 23°, 36°	≥90	20	SAMSUNG	OSRAM	50000h	5 YEARS
8754	20W	4000K	1600	15°, 23°, 36°	≥90	20	SAMSUNG	OSRAM	50000h	5 YEARS

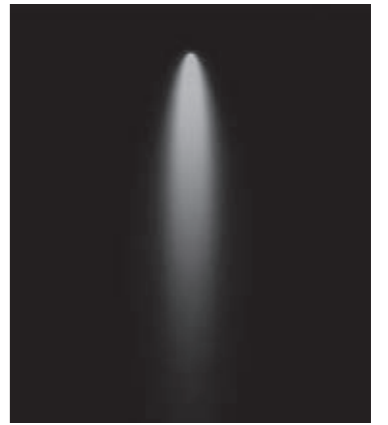
LUMINOUS INTENSITY DISTRIBUTION DIAGRAM



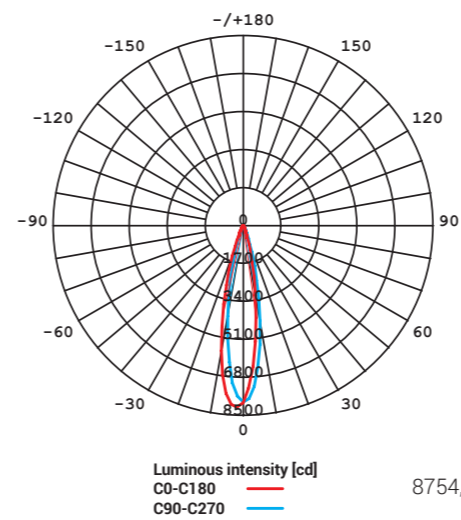
Beam cone diagram
Beam angle 15°

Distance [m]	Illuminance [lx] 3000K/4000K	Diameter [m]
1 m	11749	0,29
2 m	2937	0,57
3 m	1305	0,86
4 m	734	1,14
5 m	470	1,43
6 m	326	1,72
7 m	240	2,00

8754, 8755, 8756, 8757, 25W, 3000K, 4000K, beam angle 15°



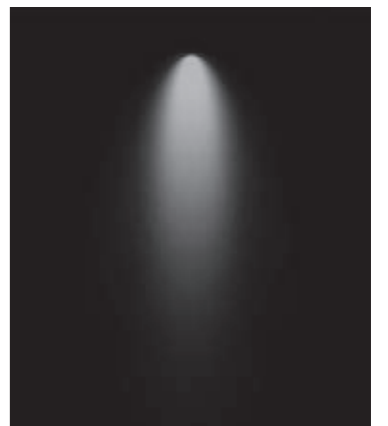
LUMINOUS INTENSITY DISTRIBUTION DIAGRAM



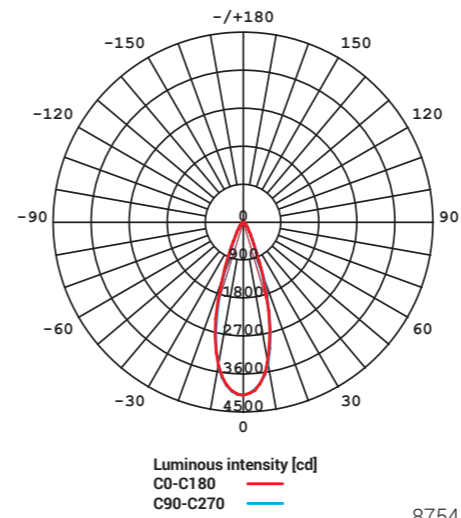
Beam cone diagram
Beam angle 23°

Distance [m]	Illuminance [lx] 3000K/4000K	Diameter [m]
1 m	8115	0,38
2 m	2029	0,75
3 m	902	1,13
4 m	507	1,51
5 m	325	1,88
6 m	225	2,26
7 m	166	2,63

8754, 8755, 8756, 8757, 25W, 3000K, 4000K, beam angle 23°



LUMINOUS INTENSITY DISTRIBUTION DIAGRAM



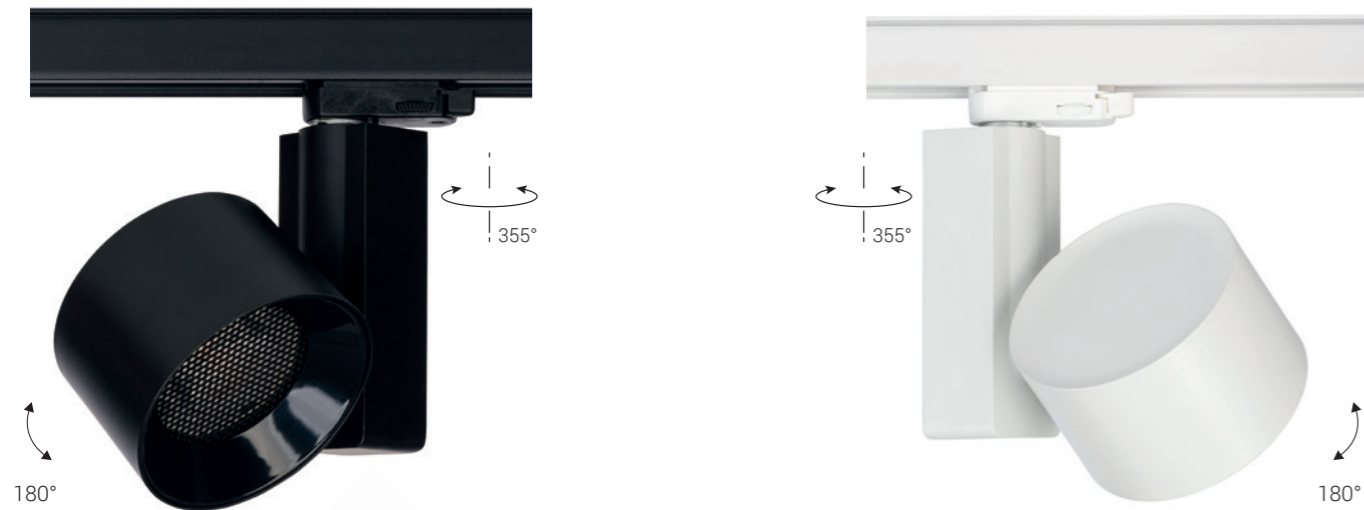
Beam cone diagram
Beam angle 36°

Distance [m]	Illuminance [lx] 3000K/4000K	Diameter [m]
1 m	4100	0,62
2 m	1025	1,23
3 m	456	1,85
4 m	256	2,46
5 m	164	3,08
6 m	114	3,69
7 m	84	4,31

8754, 8755, 8756, 8757, 25W, 3000K, 4000K, beam angle 36°



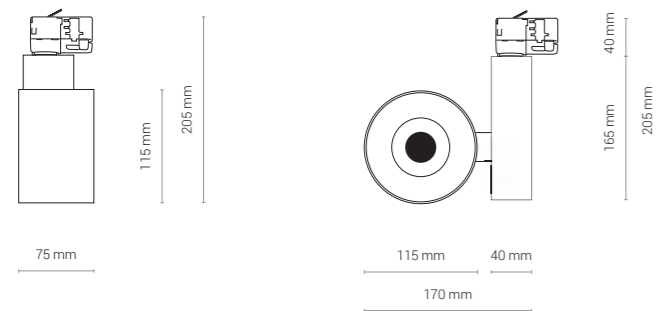
CTLS NEA LED 30W



ZESTAW ZAWIERA 3 SOCZEWKI I FILTR PRZECIWOŚNIEIOWY "PLASTER MIODU"

3 LENSES AND ANTI-GLARE "HONEYCOMB" INCLUDED

3 ЛИНЗЫ И АНТИБЛИКОВЫЙ ФИЛЬТР (ТИП ФИЛЬТРА «СОТЫ») В КОМПЛЕКТЕ



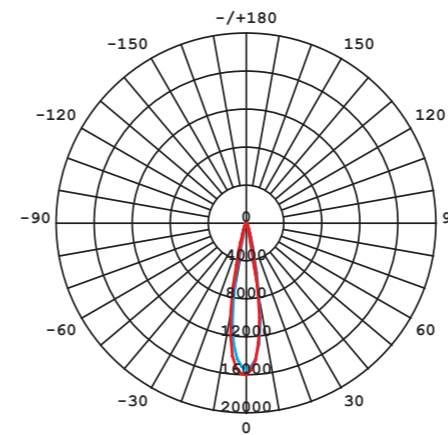
CTLS NEA LED 30W

aluminium / aluminum / алюминий

- 8753 ○ WH - 3000K 8751 ● BL - 3000K
- 8752 ○ WH - 4000K 8750 ● BL - 4000K

Item No.	POWER	COLOUR TEMP.	LUMEN	BEAM ANGLE	CRI	IP	LED BRAND	DRIVER BRAND	LIFETIME	WARRANTY
8753	30W	3000K	2600	20°, 25°, 37°	≥90	20	SAMSUNG	OSRAM	50000h	5 YEARS
8752	30W	4000K	2600	20°, 25°, 37°	≥90	20	SAMSUNG	OSRAM	50000h	5 YEARS
8751	30W	3000K	2600	20°, 25°, 37°	≥90	20	SAMSUNG	OSRAM	50000h	5 YEARS
8750	30W	4000K	2600	20°, 25°, 37°	≥90	20	SAMSUNG	OSRAM	50000h	5 YEARS

LUMINOUS INTENSITY DISTRIBUTION DIAGRAM



Luminous intensity [cd]
C0-C180 — red line
C90-C270 — blue line

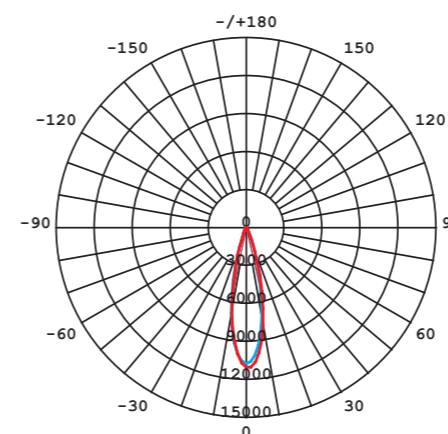
8750, 8751, 8752, 8753, 30W, 3000K, 4000K, beam angle 20°

Beam cone diagram
Beam angle 20°

Distance [m]	Illuminance [lx] 3000K/4000K	Diameter [m]
1 m	15948	0,35
2 m	3987	0,70
3 m	1772	1,05
4 m	997	1,40
5 m	638	1,75
6 m	443	2,10
7 m	326	2,44



LUMINOUS INTENSITY DISTRIBUTION DIAGRAM



Luminous intensity [cd]
C0-C180 — red line
C90-C270 — blue line

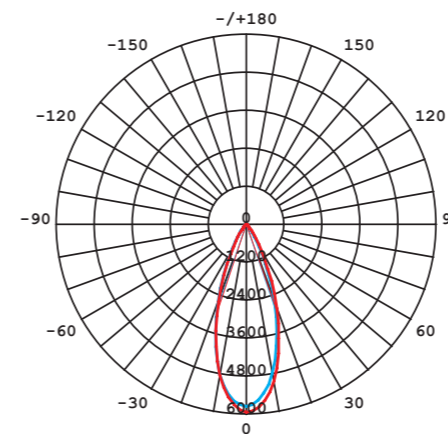
8750, 8751, 8752, 8753, 30W, 3000K, 4000K, beam angle 25°

Beam cone diagram
Beam angle 25°

Distance [m]	Illuminance [lx] 3000K/4000K	Diameter [m]
1 m	11040	0,44
2 m	2760	0,87
3 m	1227	1,31
4 m	690	1,75
5 m	442	2,18
6 m	307	2,62
7 m	225	3,06



LUMINOUS INTENSITY DISTRIBUTION DIAGRAM



Luminous intensity [cd]
C0-C180 — red line
C90-C270 — blue line

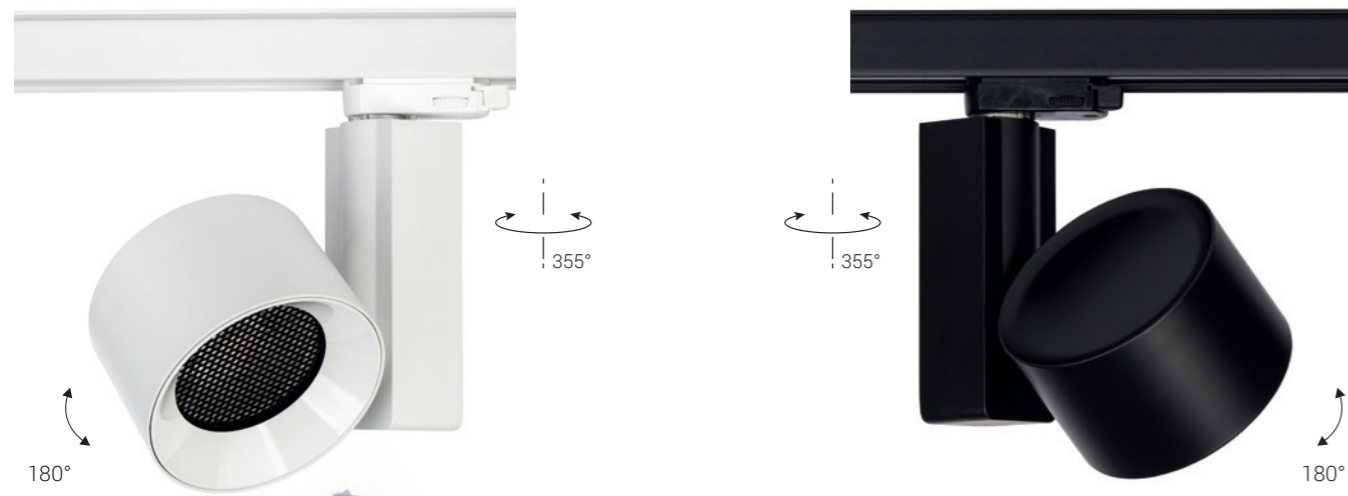
8750, 8751, 8752, 8753, 30W, 3000K, 4000K, beam angle 37°

Beam cone diagram
Beam angle 37°

Distance [m]	Illuminance [lx] 3000K/4000K	Diameter [m]
1 m	5935	0,67
2 m	1484	1,34
3 m	659	2,00
4 m	371	2,67
5 m	237	3,34
6 m	165	4,01
7 m	121	4,68



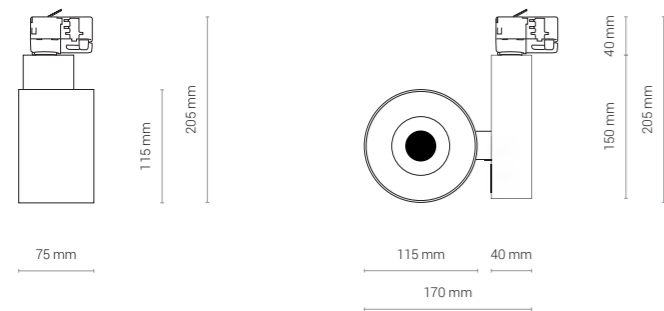
CTLS NEA LED 40W



ZESTAW ZAWIERA 3 SOCZEWKI I FILTR PRZECIWOŚNIENIOWY "PLASTER MIODU"

3 LENSES AND ANTI-GLARE "HONEYCOMB" INCLUDED

3 ЛИНЗЫ И АНТИБЛИКОВЫЙ ФИЛЬТР (ТИП ФИЛЬТРА «СОТЫ») В КОМПЛЕКТЕ



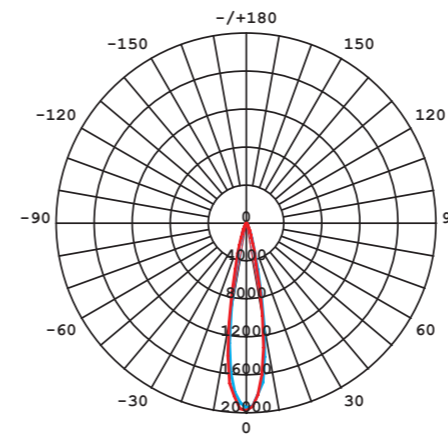
CTLS NEA LED 40W

aluminium / aluminum / алюминий

- 8748 ○ WH - 3000K 8746 ● BL - 3000K
- 8747 ○ WH - 4000K 8745 ● BL - 4000K

Item No.	POWER	COLOUR TEMP.	LUMEN	BEAM ANGLE	CRI	IP	LED BRAND	DRIVER BRAND	LIFETIME	WARRANTY
8748	40W	3000K	3600	20°, 25°, 37°	≥90	20	SAMSUNG	OSRAM	50000h	5 YEARS
8747	40W	4000K	3600	20°, 25°, 37°	≥90	20	SAMSUNG	OSRAM	50000h	5 YEARS
8746	40W	3000K	3600	20°, 25°, 37°	≥90	20	SAMSUNG	OSRAM	50000h	5 YEARS
8745	40W	4000K	3600	20°, 25°, 37°	≥90	20	SAMSUNG	OSRAM	50000h	5 YEARS

LUMINOUS INTENSITY DISTRIBUTION DIAGRAM



Luminous intensity [cd]
C0-C180 — red line
C90-C270 — blue line

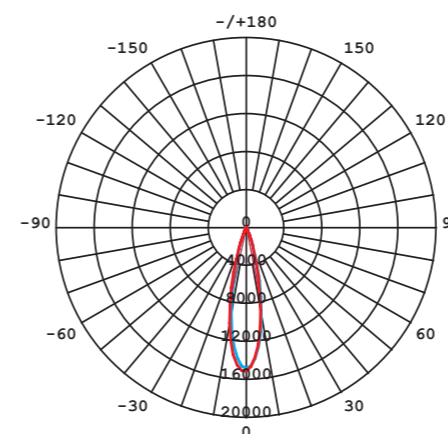
8745, 8746, 8747, 8748, 40W, 3000K, 4000K, beam angle 20°

Beam cone diagram
Beam angle 20°

Distance [m]	Illuminance [lx] 3000K/4000K	Diameter [m]
1 m	19752	0,36
2 m	4938	0,72
3 m	2195	1,08
4 m	1235	1,43
5 m	790	1,79
6 m	549	2,15
7 m	403	2,51



LUMINOUS INTENSITY DISTRIBUTION DIAGRAM



Luminous intensity [cd]
C0-C180 — red line
C90-C270 — blue line

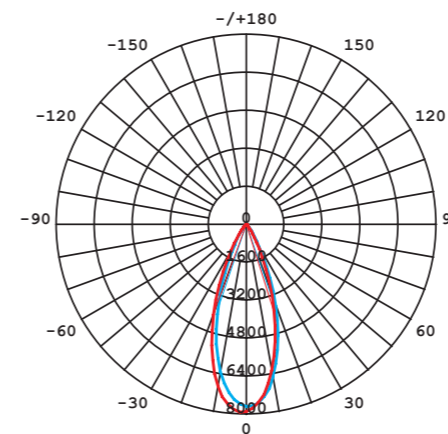
8745, 8746, 8747, 8748, 40W, 3000K, 4000K, beam angle 25°

Beam cone diagram
Beam angle 25°

Distance [m]	Illuminance [lx] 3000K/4000K	Diameter [m]
1 m	15100	0,42
2 m	3775	0,84
3 m	1678	1,27
4 m	944	1,69
5 m	604	2,11
6 m	419	2,53
7 m	308	2,95



LUMINOUS INTENSITY DISTRIBUTION DIAGRAM



Luminous intensity [cd]
C0-C180 — red line
C90-C270 — blue line

8745, 8746, 8747, 8748, 40W, 3000K, 4000K, beam angle 37°

Beam cone diagram
Beam angle 37°

Distance [m]	Illuminance [lx] 3000K/4000K	Diameter [m]
1 m	7906	0,68
2 m	1977	1,36
3 m	879	2,05
4 m	494	2,73
5 m	316	3,41
6 m	220	4,09
7 m	161	4,77

