

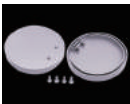


**R60**

**ACCESSORIES :**



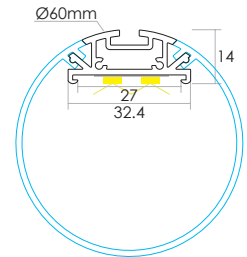
Aluminum Profile  
**Code: R60**


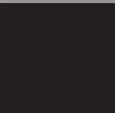




Aluminum Endcap  
 (without hole)  
**Code: R60-Cap**



Suspension Kits  
**Code: Sus.KitsA**



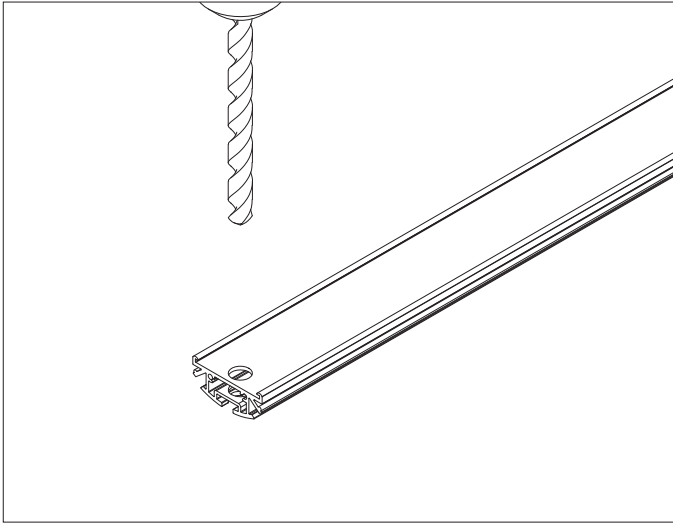
Optional Diffuser(PC)					
/					
Dimensions(mm)	Max strip width	Opal	Milky	Frosted	Clear
Ø60mm	27mm	✓	/	✓	/
Code		R60-O	/	R60-F	/
Light Transmittance		45%	/	53%	/

< 28.8W/m  
 Stocked length availability: 2m, 2.5m.  
 Customized length below 6m upon your request.

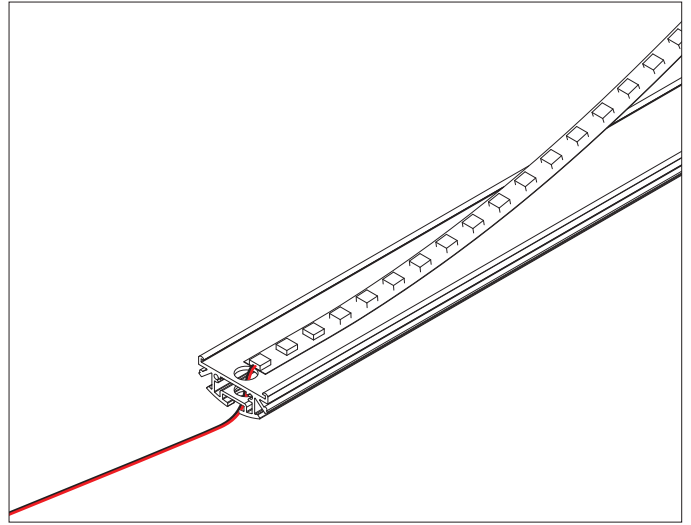


## Installing Instructions

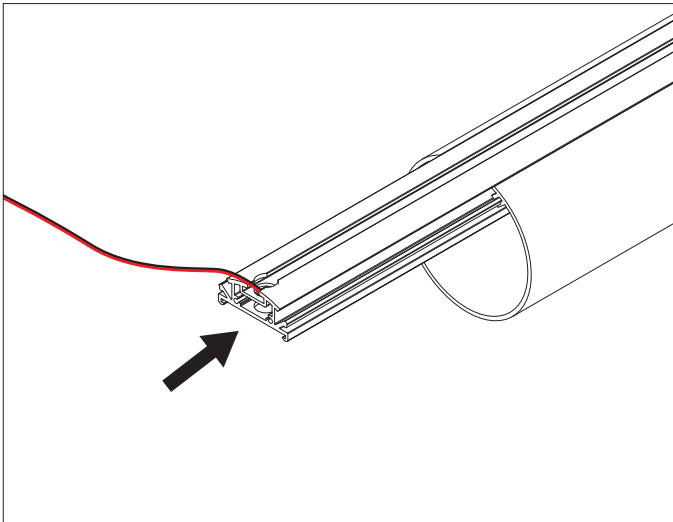
### Suspended



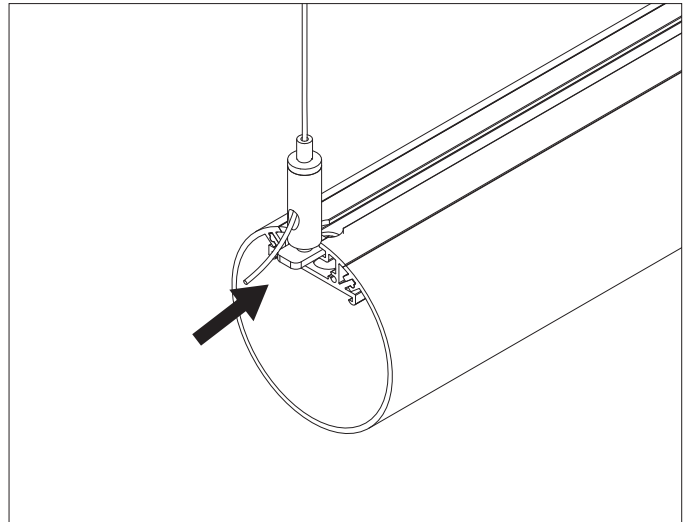
1. Drill a hole on the aluminium



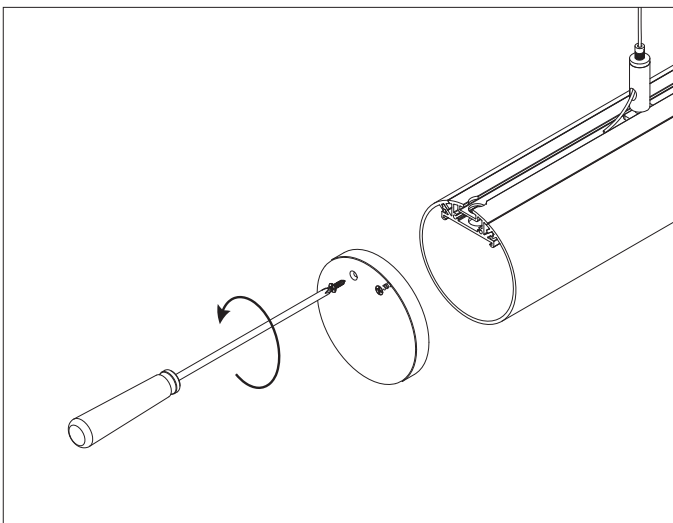
2. Fit the led strip on the aluminium



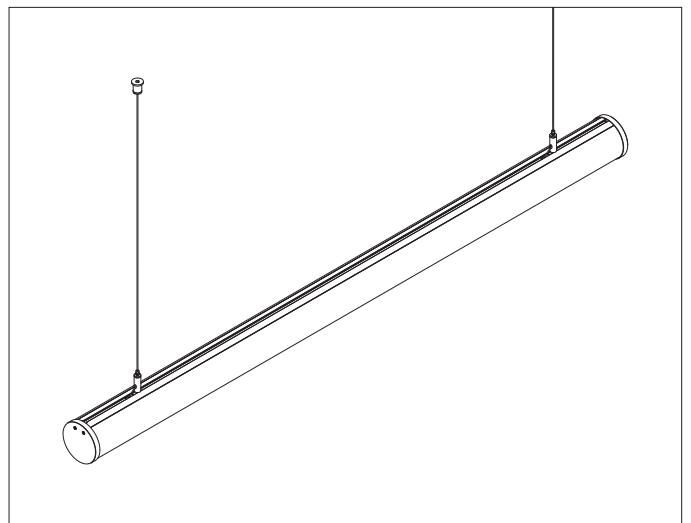
3. Click/snap on the diffuser from end to end



4. Install the suspension kits



5. Screws the end caps



6. Installation completed.