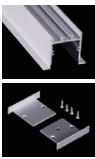


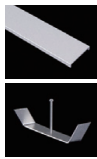
# WN31

## ACCESSORIES :



Aluminum Profile  
Code: **WN31**

Aluminum Endcap  
(with/without hole)  
Code: **WN31-Cap**  
Code: **WN31-Cap-H**



Aluminum diffuser  
Code: **WN35-AD**

Metal Clip  
Code: **MC-WS31**



Spring Clip  
Code: **SC-N31**



Joiners 90°A  
Code: **J-90A**



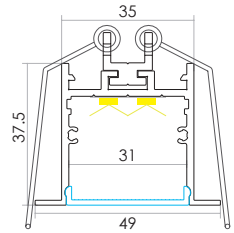
Joiners 90°B  
Code: **J-90B**



Joiners 180°A  
Code: **J-180A**



Joiners 120°  
Code: **J-120**

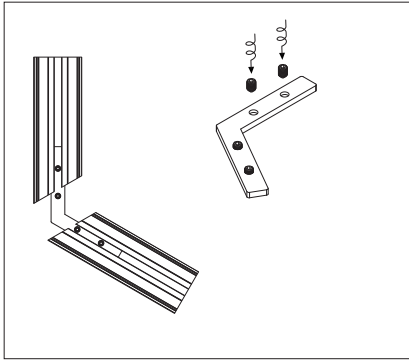


## Optional Diffuser(PMMA)

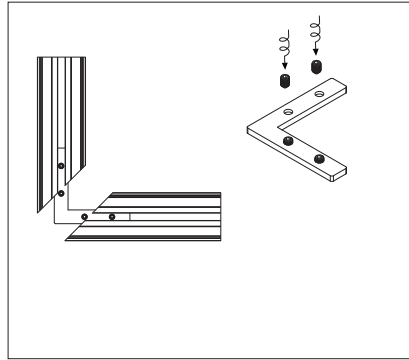
D005 type					
Dimensions(mm)	Max strip width	Opal	Milky	Frosted	Clear
35*37.5	31mm	✓	✓	✓	✓
Code		D005-O	D005-M	D005-F	D005-C
Light Transmittance		63%	78%	89%	95%

< 38.4W/m  
Aluminum Profile Weight:0.64kg/m  
Stocked length availability:2m,2.5m.  
Customized length below 6m upon your request.

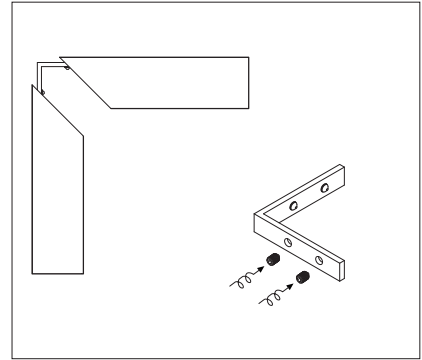
Applicable joiners



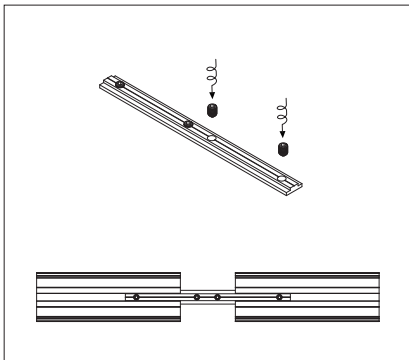
120°



90°A

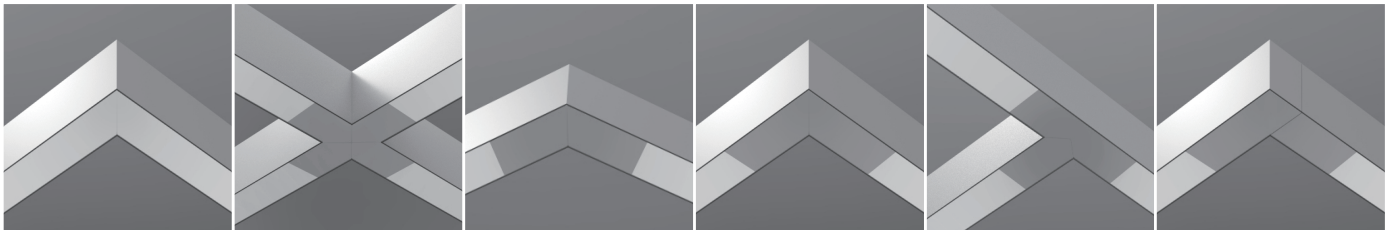


90°B



180°A

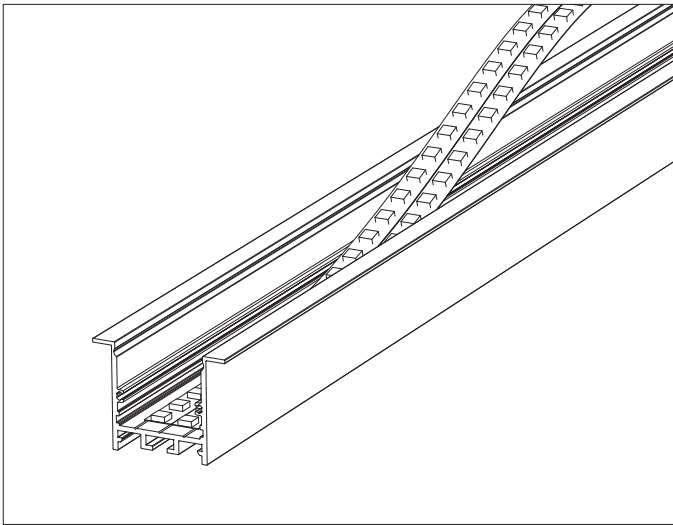
Other installation & Connection ways.



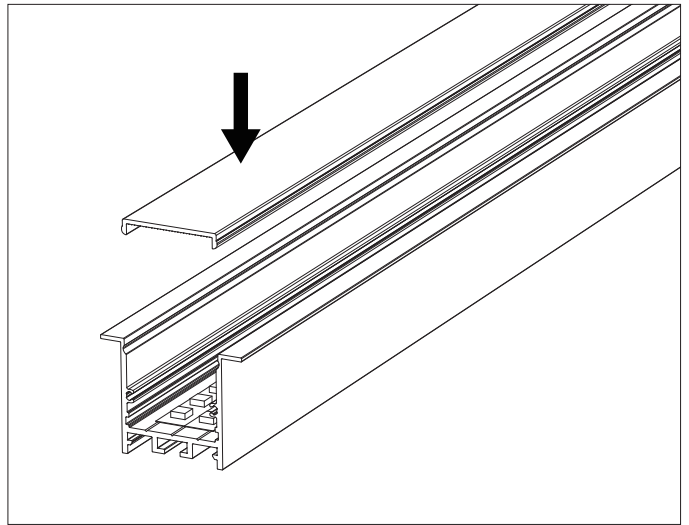


## Installing Instructions

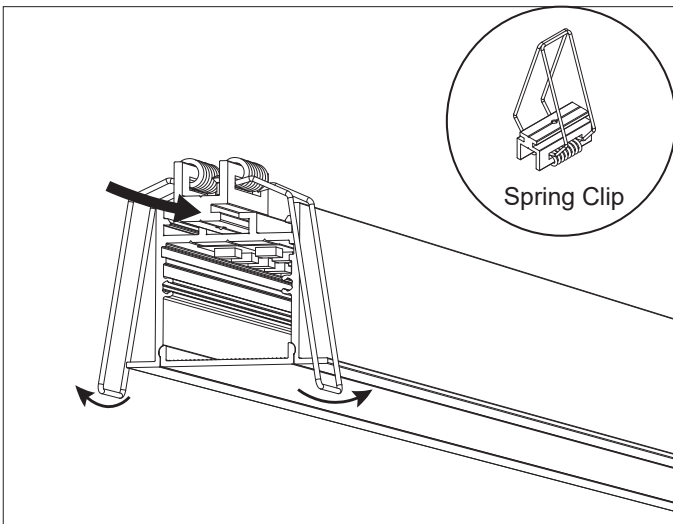
Recessed



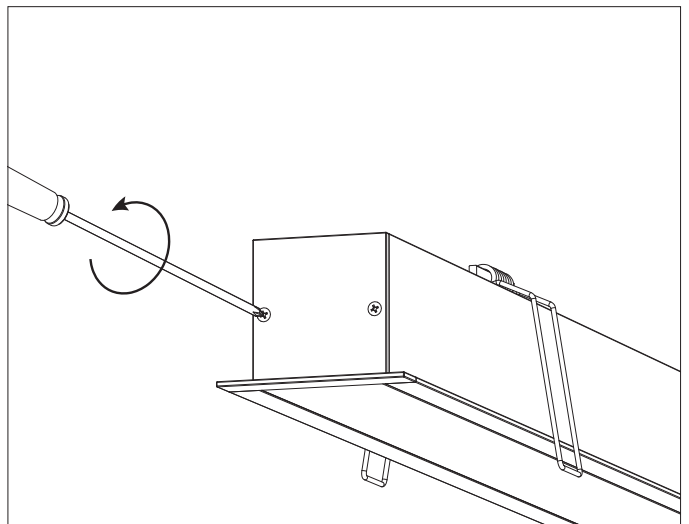
1. Fit the led strip on the aluminium



2. Click/snap on the diffuser from end to end



3. Install the Spring Clips



4. Screws the end caps

