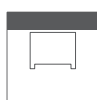
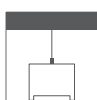


Wall Mounted



Ceiling



Suspended



WN35

ACCESSORIES :



Aluminum Profile



Aluminum Endcap
(with/without hole)



Aluminum Screwless
Endcap
(without hole)



Aluminum diffuser



Wall Clips



Suspension Kits



Metal Clip



Joiners 90°A



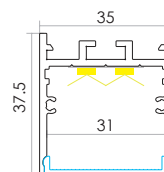
Joiners 90°B



Joiners 180°A



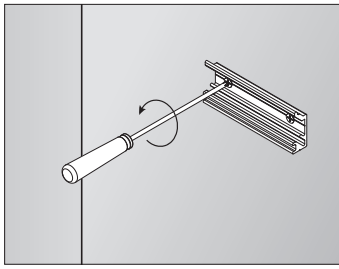
Joiners 120°



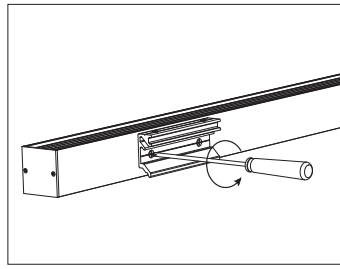


Installing Instructions

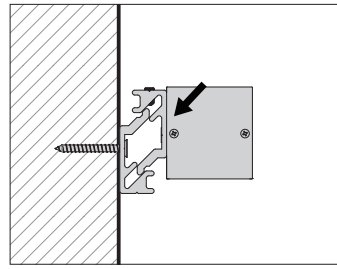
Wall Mounted



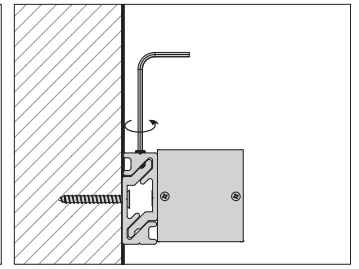
1. Attach the wall side clip to surface



2. Attach the other side of clip to light fixture

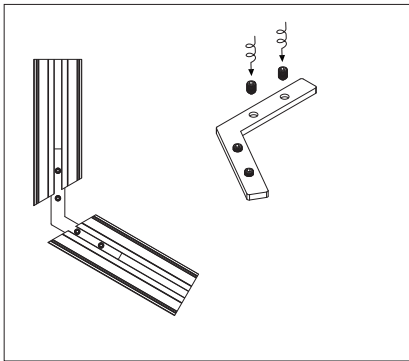


3. Mount the light fixture onto the wall attachment

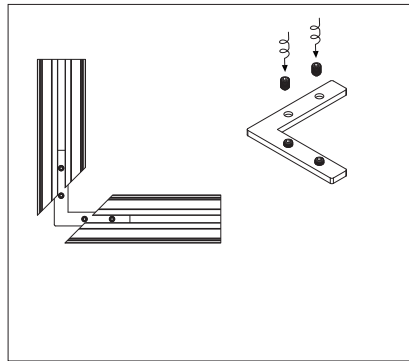


4. Secure the clips to ensure it stays in place

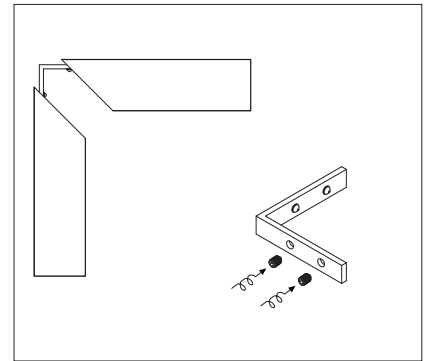
Applicable joiners



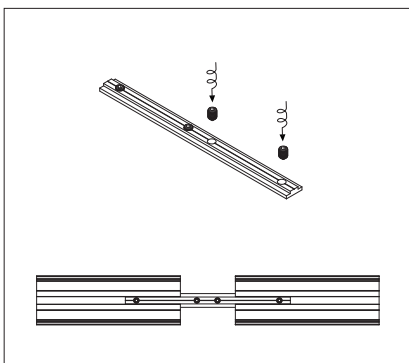
120°



90°A

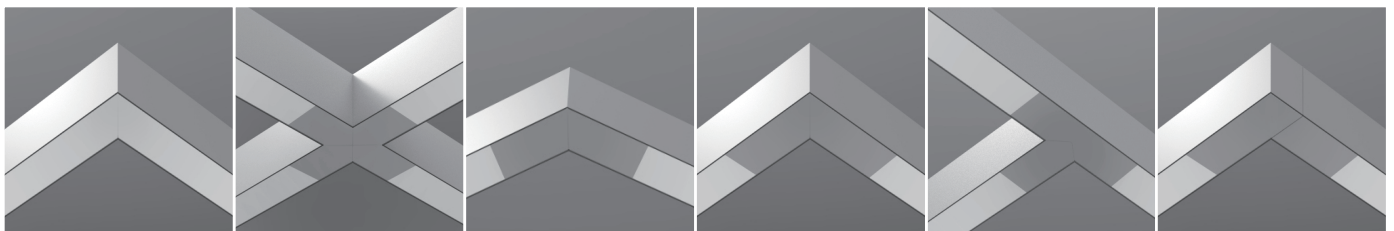


90°B



180°A

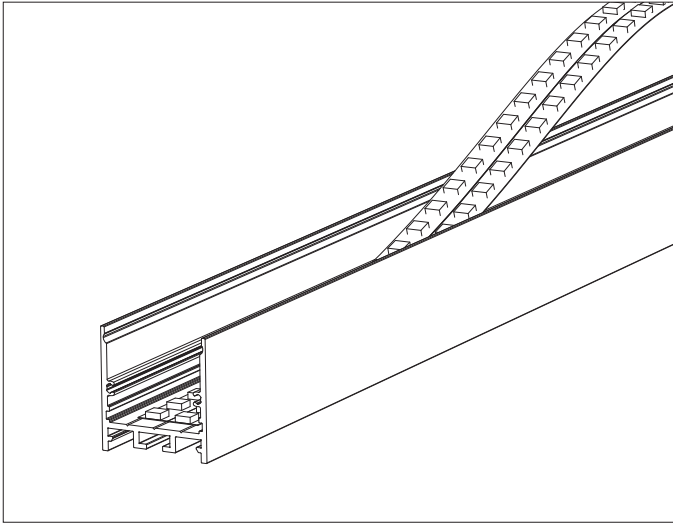
Other installation & Connection ways.



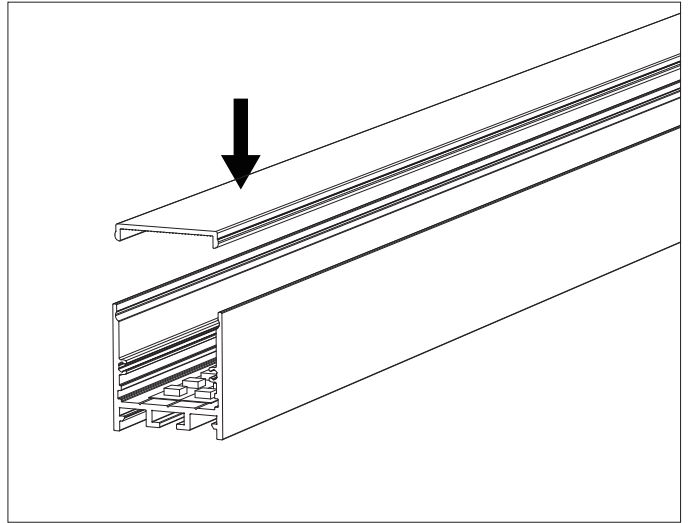


Installing Instructions

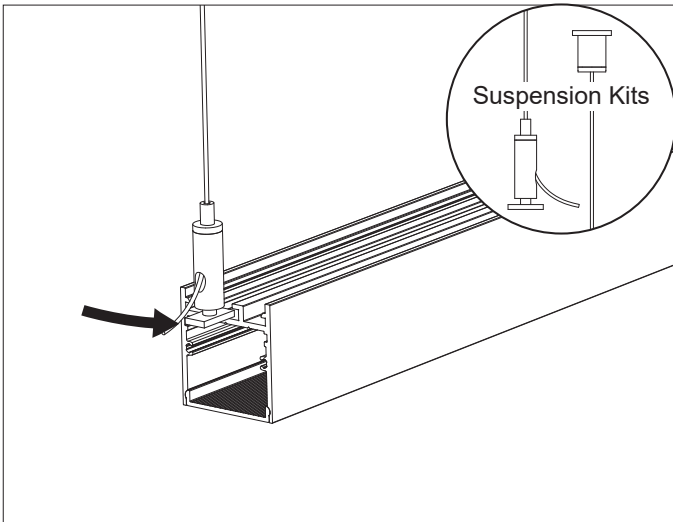
Suspended



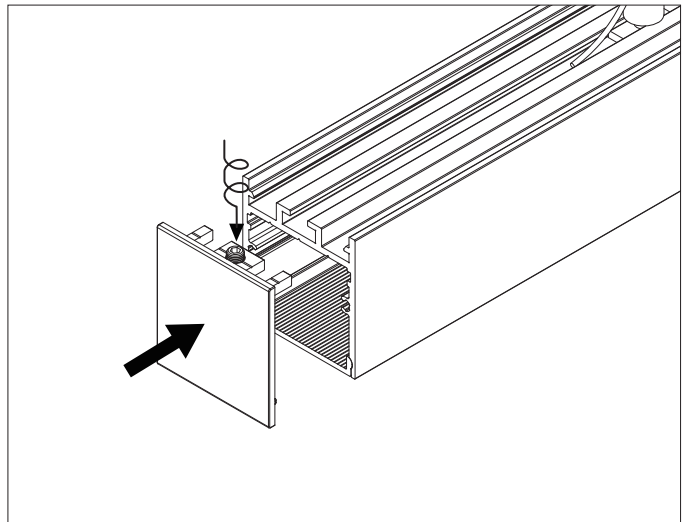
1. Apply LED strips into the profile



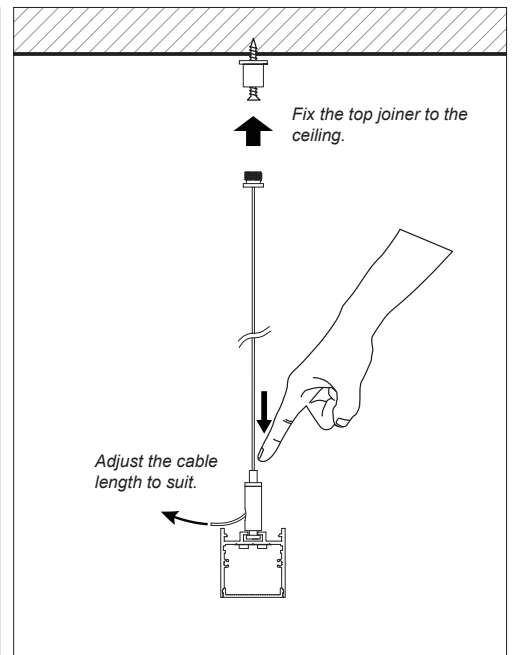
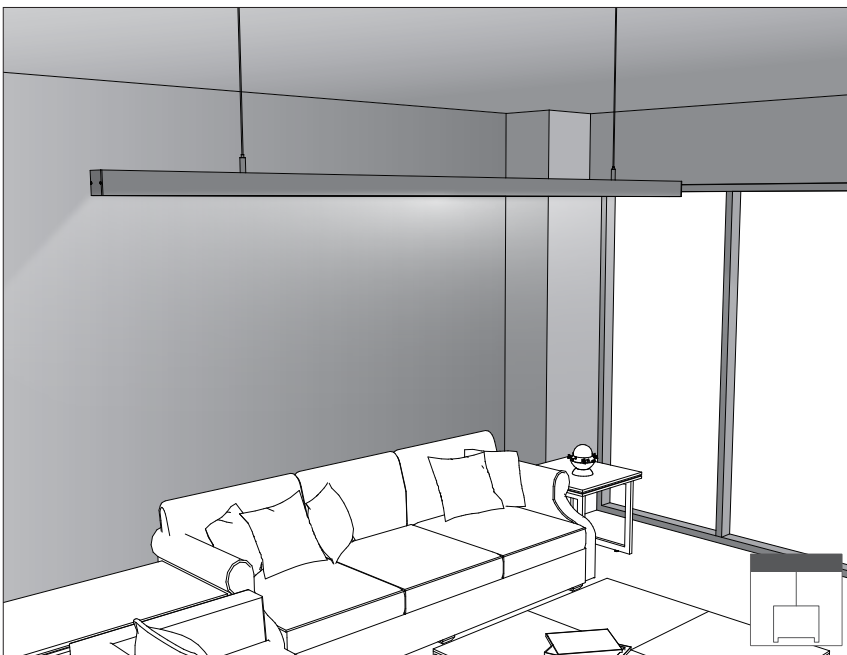
2. Attach diffuser to profile, working from end to end



3. Install the Suspension Kits



4. Finally screw the end caps on





Installing Instructions

Ceiling

